



2CCT&3Watt Tunable Linear Highbay LED Light



PLUG PLAY SENSOR



Date: Location:

Product: Project:

Quantity: Catalog#

FEATURES

- 110/165/220W Tunable, 40/50K Selectable.
- Built in Sensor socket, Easy plug and play with Sensor
- Hanging air craft cable provided for easy access wiring
- 50,000 hours lifetime

SUITABLE APPLICATIONS

- Warehouse Lighting
- Base room lighting
- Shopping mall lighting
- Factory lighting

CONSTRUCTION:

Fast dissipation aluminum material, with white powder-coated finish. Frosted PC optics lens.

ELECTRICAL:

Available as 120-277V input. -20°C to 45°C.

OPTICAL SYSTEM:

High brightness Lumileds chips. 106° beam angle.

INSTALLATION&MOUNTING:

Suspended/Ceiling Mounting for easy installation

WARRANTY:

5-year limited warranty. Actual performance may differ as a result of end-user environment and application.

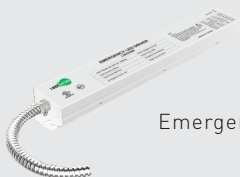
PERFORMANCE

DLC Model NO	Motion Sensor Detection Distance	Wattage	Voltage/CurrentInput		Light Efficiency	Kelvin Options
			120V	277V		
LS-LHBV5-220WBMB1A1-ABDW40/50K	40FTto50FT	110W	0.91A	0.39A	140LM/W	4000K/5000K
	40FTto50FT	165W	1.37A	0.59A	140LM/W	4000K/5000K
	40FTto50FT	220W	1.83A	0.79A	140LM/W	4000K/5000K

OPTIONAL ACCESSORIES



Turn off the cap and insert the sensor



Emergency Battery Backup

PRODUCT ORDERING GUIDE

LS-LHBV5-220WBMB1A1-ABDW40/50K

LS - LHBV5 - 220W - BMB1A1-ABDW40/50K

LS LEDSION

LHBV5 LED Linear Highbay Light

Wattage adjustable

110W Power110W 165W Power165W

220W Power220W

CCT adjustable.

XXK CCT:4000K

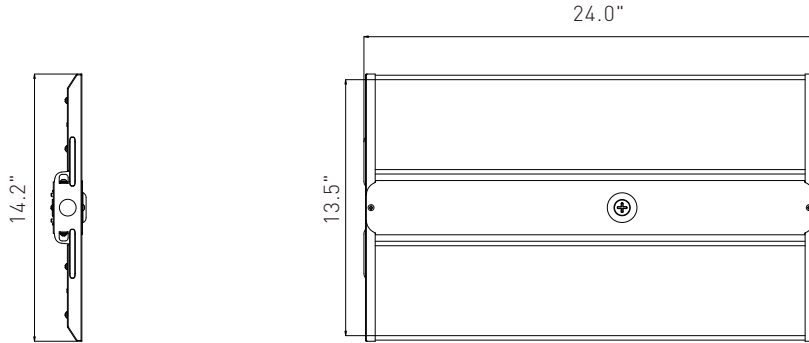
XXK CCT:5000K

Electric Characteristic

Specification/Model	LS-LHBV5-220WBMB1A1-ABDW40/50K		
LED Driver	UL DRIVER 0-10V dimming		
Input power	110W	165W	220W
Lumens output	15400LM	23100LM	30800LM
Efficiency	140LM/W	140LM/W	140LM/W
CRI	>80	>80	>80
CCT tunable	40K/50K	40K/50K	40K/50K
Input voltage	120-277V/AC	120-277V/AC	120-277V/AC
Light distribution type	106D	106D	106D
Working temperature	-20+40°C	-20+40°C	-20+40°C
Junction temperature	<75°C	<75°C	<75°C
lamps efficiency	≥90%	≥90%	≥90%
Certificate	UL CUL DLC	UL CUL DLC	UL CUL DLC
Equivalent	220-330W MH/HPS	330-500W MH/HPS	500-700W MH/HPS

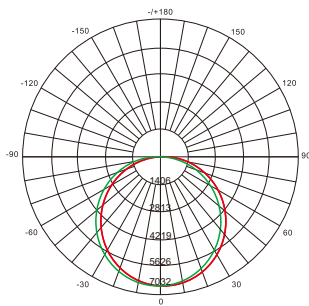
2CCT&3 Watt tunable Linear Highbay LED Light

► DIMENSION



DISTRIBUTION DIAGRAM

LHB-110W-50K

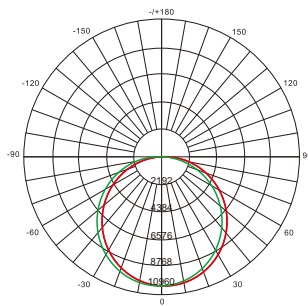


AVERAGE BEAM ANGLE[50%]: 106°

UNIT:CD
 Lumens:15400LM
 Test Number:110W
 Test Number:5000K

- C0/180,113.7
- C30/210,100.1
- C60/240,108.6
- C90/270,130.9

LHB-165W-50K

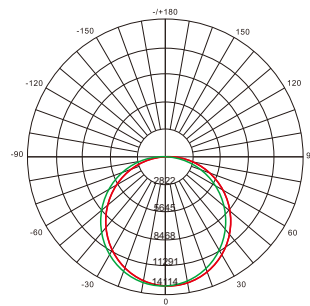


AVERAGE BEAM ANGLE[50%]: 106°

UNIT:CD
 Lumens:23100LM
 Test Number:165W
 Test Number:5000K

- C0/180,113.7
- C30/210,100.1
- C60/240,108.6
- C90/270,130.9

LHB-220W-50K



AVERAGE BEAM ANGLE[50%]: 106°

UNIT:CD
 Lumens:30800LM
 Test Number:220W
 Test Number:5000K

- C0/180,113.7
- C30/210,100.1
- C60/240,108.6
- C90/270,130.9

A. Hanging Installation: (Chain/Cable)

- Step1. Hook up the chain; (Figure 1)
- Step2. Connect the chain with fixture; (Figure 1)
- step3. Fix the chain on the rail, adjust the chain length as per need; (Figure 1)
- Step4. After fixed , choose suitable wiring knock out, connect the wires according to local standard and code.

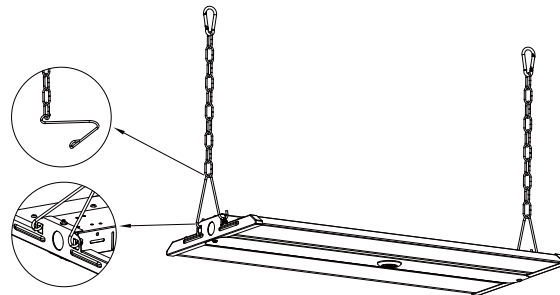


Figure 1

B. 3/4" NPT Installation:

- Step1. Mount the bracket on 3/4" NPT, (Figure 2)
- Step2. Lock fixture on the bracket; (Figure 3)
- Step3. Connect the wires according to local standard and code.
- Step4 Lock side brackets with screw driver. (Figure 4)



Figure 2

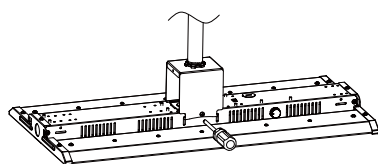


Figure 3

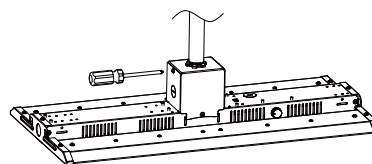


Figure 4

C. Surface Mounting: (If this bracket is used for the fixture, backup driversolution cannot be chosen)

- Step1. Mount the bracket on the rail or ceiling (Figure 5);
- Step2. Assemble the lamp on the bracket and fix it with screws (Figure 6);
- Step3. After mounting, choose suitable wiring knock out and connect the wires according to local standard and code.

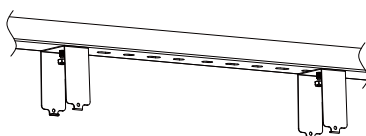


Figure 5

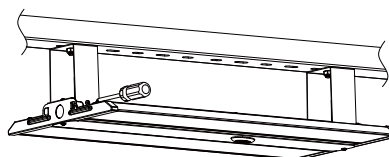


Figure 6

Extra Accessory Option Installation: 1:Wire Guard, 2:Motion Sensor / PIR Sensor,3: Backup driver

1.Wire Guard: [Purchase the correct size wire guard from manufacturer]

Step1.Unscrew the two screws on the front of the lamp;[Figure 7]

Step2.Place the wire guard on the lamp and fix it with screws.[Figure 8]

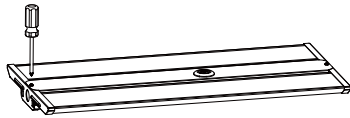


Figure 7

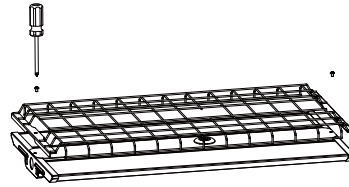


Figure 8

2-1.Motion Sensor/PIR Sensor: [Both sensor are with same installation]

Step1.Open the face cover with screw driver;[Figure 9]

Step2.Knock out the side cover, mount the sensor on the side, do wiring accofing to instruction on sensor; (Figure 10)

Step3.Put face cover back with screw driver. [Figure 11]

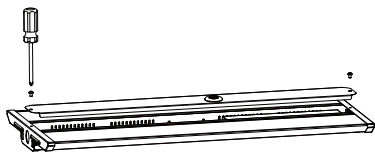


Figure 9

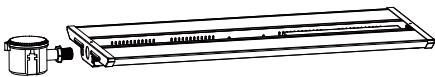


Figure 10

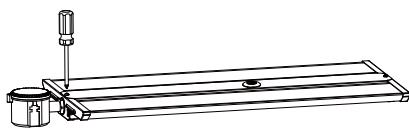
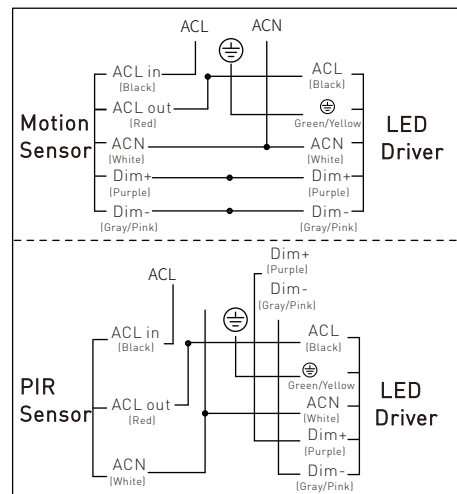


Figure 11

Wiring Instruction



2-2.DC Motion Sensor l PIR Sensor [Both sensors are with the same installation method]

Step1.Use a screwdriver to remove the 1/2 plug from the sensor; [Figure 12]

Step2.Twist-lock the DC sensor to the base to make it work properly, use a remote control to adjust the working mode as per demand.[Figure 13]

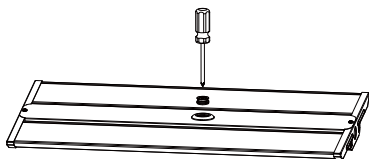


Figure 12

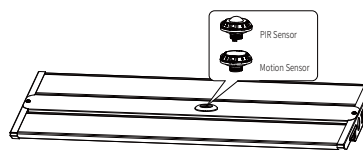


Figure 13