

LED Multi Watt Multi CCT Down Light



4"

5.5W, 8W and 12W



6"

6" HO

7W, 10W and 16W 25W, 32W and 42W



8"

8" HO

10W, 15W and 24W 35W, 42W and 52W



9.5"

20W, 25W and 32W



OPTIONAL ACCESSORY:



Emergency Battery
LOC-EMDR-25WHV

CONSTRUCTION:

Downlight body and endcaps are both fabricated from aluminum for maximum rigidity. Lightweight aluminum heat sink designed to perform naturally convective cooling.

OPTICAL SYSTEM:

Lumiled LED chips. General, medium, aisle distributions available to meet both horizontal and vertical light level requirements. 90° beam angle

WARRANTY:

5-year limited warranty. Actual performance may differ as a result of end-user environment and application.

ELECTRICAL:

Uses a -20°C to 40°C (-4°F to 104°F) case temperature drive. 0.90 power factor. Available as 120-277V input.

INSTALLATION & MOUNTING:

Use torsion spring clips to install in place.

DIMMING:

Dimmable range from 0-10V.

FEATURES

- Default Wattage:
 - 4" 12W
 - 6" 16W / 42W
 - 8" 24W / 52W
 - 9.5" 32W
- Default CCT: 5,000K
- IP44 rated
- Commercial grade
- Wattage selectable
- CCT selectable
- 50,000 hours lifetime

SUITABLE APPLICATIONS

- Kitchens
- Bedrooms
- Bathrooms
- Corridors
- Hallways
- Museums

Energy Star ID:

- LOC-4DL-MW(5.5/8/12)MCCT(27/30/35/40/50)D – 2839321
- LOC-6DL-MW(7/10/16)MCCT(27/30/35/40/50)D – 2839320
- LOC-8DL-MW(10/15/24)MCCT(27/30/35/40/50)D – 2839319
- LOC-9.5DL-MW(20/25/32)MCCT(27/30/35/40/50)D – 2839317
- LOC-6DL-MW(25/32/42)MCCT(27/30/35/40/50)D-HO – 2839322
- LOC-8DL-MW(35/42/52)MCCT(27/30/35/40/50)D-HO – 2839318



LOC-4DL-MW(5.5/8/12)MCCT(27/30/35/40/50)D (Type IC rated)

WATTAGE	CCT SELECTABLE	LUMENS	EFFICACY	VOLTAGE	CRI	POWER FACTOR	REPLACES
5.5W	2700K / 3000K / 3500K / 4000K / 5000K	458.15LM	83.3lm/W	120-277V	95	0.99	75W
8W	2700K / 3000K / 3500K / 4000K / 5000K	666.6LM	83.3lm/W	120-277V	95	0.99	75W
12W	2700K / 3000K / 3500K / 4000K / 5000K	1,000LM	83.3lm/W	120-277V	95	0.99	75W

LOC-6DL-MW(7/10/16)MCCT(27/30/35/40/50)D (Type IC rated)

WATTAGE	CCT SELECTABLE	LUMENS	EFFICACY	VOLTAGE	CRI	POWER FACTOR	REPLACES
7W	2700K / 3000K / 3500K / 4000K / 5000K	656.6LM	93.8lm/W	120-277V	95	0.99	75W
10W	2700K / 3000K / 3500K / 4000K / 5000K	938LM	93.8lm/W	120-277V	95	0.99	75W
16W	2700K / 3000K / 3500K / 4000K / 5000K	1,500.8LM	93.8lm/W	120-277V	95	0.99	75W

LOC-8DL-MW(10/15/24)MCCT(27/30/35/40/50)D (Type IC rated)

WATTAGE	CCT SELECTABLE	LUMENS	EFFICACY	VOLTAGE	CRI	POWER FACTOR	REPLACES
10W	2700K / 3000K / 3500K / 4000K / 5000K	1,010LM	101lm/W	120-277V	95	0.99	150W
15W	2700K / 3000K / 3500K / 4000K / 5000K	1,515LM	101lm/W	120-277V	95	0.99	150W
24W	2700K / 3000K / 3500K / 4000K / 5000K	2,424LM	101lm/W	120-277V	95	0.99	150W

LOC-9.5DL-MW(20/25/32)MCCT(27/30/35/40/50)D (Type IC rated)

WATTAGE	CCT SELECTABLE	LUMENS	EFFICACY	VOLTAGE	CRI	POWER FACTOR	REPLACES
20W	2700K / 3000K / 3500K / 4000K / 5000K	1,876LM	93.8lm/W	120-277V	95	1.0	200W
25W	2700K / 3000K / 3500K / 4000K / 5000K	2,345LM	93.8lm/W	120-277V	95	1.0	200W
32W	2700K / 3000K / 3500K / 4000K / 5000K	3,232LM	93.8lm/W	120-277V	95	1.0	200W

LOC-6DL-MW(25/32/42)MCCT(27/30/35/40/50)D-HO (High Output) (Type Non-IC rated)

WATTAGE	CCT SELECTABLE	LUMENS	EFFICACY	VOLTAGE	CRI	POWER FACTOR	REPLACES
25W	2700K / 3000K / 3500K / 4000K / 5000K	2,380LM	95.2lm/W	120-277V	95	1.0	250W
32W	2700K / 3000K / 3500K / 4000K / 5000K	3,046.4LM	95.2lm/W	120-277V	95	1.0	250W
42W	2700K / 3000K / 3500K / 4000K / 5000K	3,998.4LM	95.2lm/W	120-277V	95	1.0	250W

LOC-8DL-MW(35/42/52)MCCT(27/30/35/40/50)D-HO (High Output) (Type Non-IC rated)

WATTAGE	CCT SELECTABLE	LUMENS	EFFICACY	VOLTAGE	CRI	POWER FACTOR	REPLACES
35W	2700K / 3000K / 3500K / 4000K / 5000K	3,367LM	96.2lm/W	120-277V	94	1.0	300W
42W	2700K / 3000K / 3500K / 4000K / 5000K	4,040.4LM	96.2lm/W	120-277V	94	1.0	300W
52W	2700K / 3000K / 3500K / 4000K / 5000K	5,000LM	96.2lm/W	120-277V	94	1.0	300W

6" HO
25W, 32W and 42W

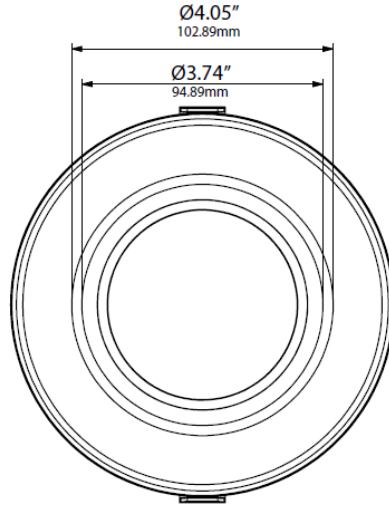
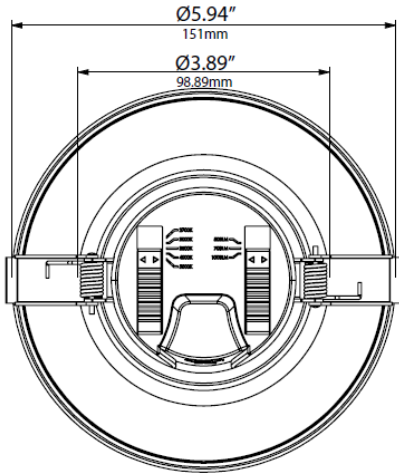
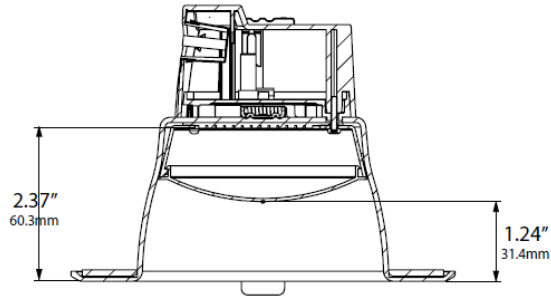
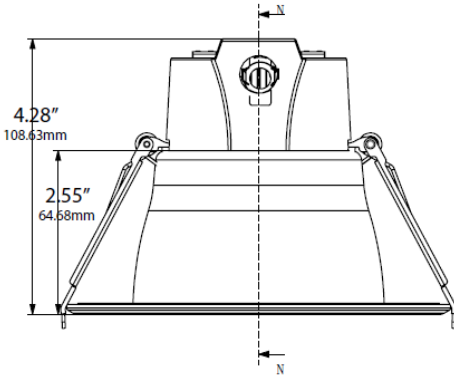


8" HO
35W, 42W and 52W

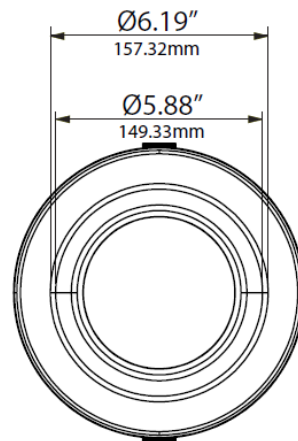
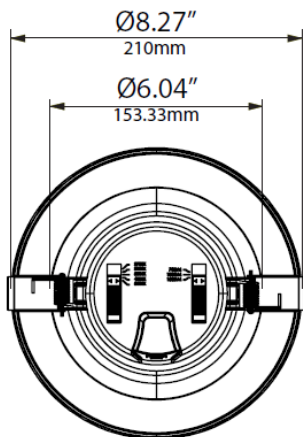
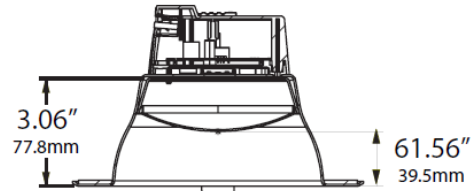
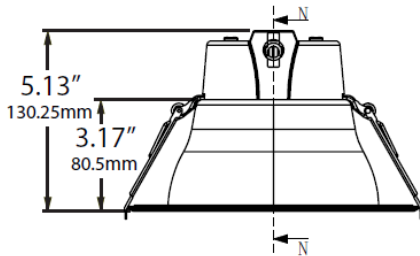


MEASUREMENTS

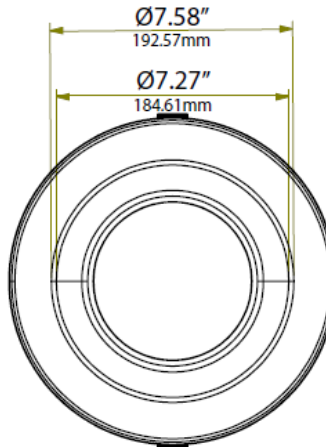
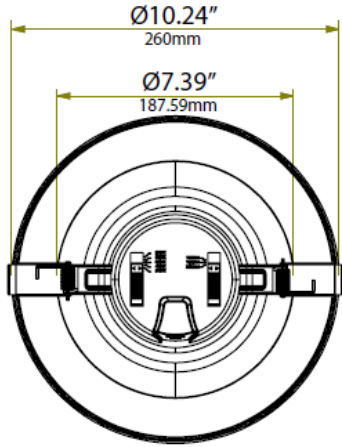
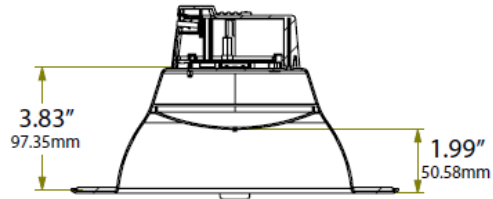
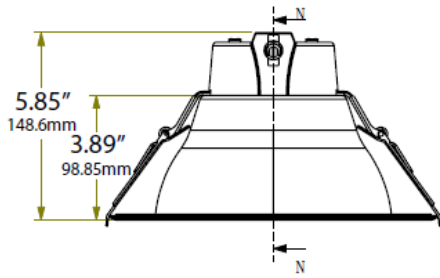
4"



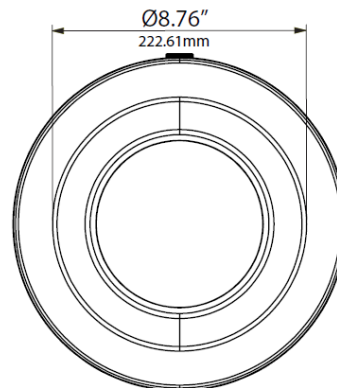
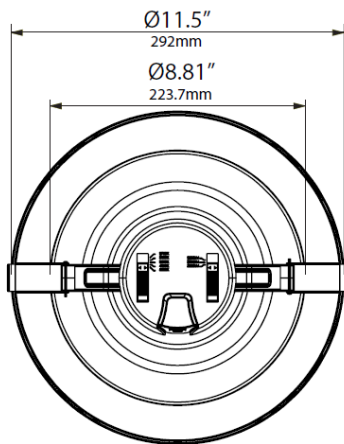
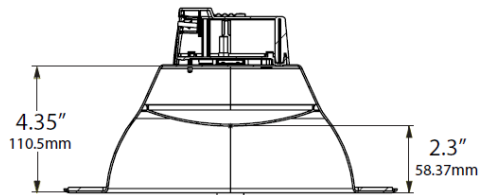
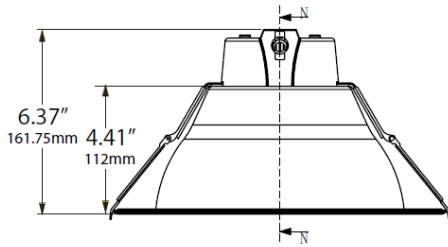
6"



8"



9.5"



MODEL	QUANTITY	WEIGHT	UPC CODE
LOC-4DL-MW(5.5/8/12)MCCT(27/30/25/40/50)D	1	0.90 lbs	00810050945332
LOC-6DL-MW(7/10/16)MCCT(27/30/25/40/50)D	1	1.30 lbs	00810050945349
LOC-8DL-MW(10/15/24)MCCT(27/30/25/40/50)D	1	1.51 lbs	00810050945356
LOC-9.5DL-MW(20/25/32)MCCT(27/30/25/40/50)D	1	1.75 lbs	00810050945363
LOC-6DL-MW(25/32/42)MCCT(27/30/25/40/50)D-HO	1	1.30 lbs	00810050945370
LOC-8DL-MW(35/42/52)MCCT(27/30/25/40/50)D-HO	1	1.51 lbs	00810050945387