

## LED LOC-#FTSL-DF Multi Wattage Multi CCT Strip Light Family Series (Motion Sensor Option or Emergency Battery Option)



**4 Foot**

22W / 28W / 36W / 44W



**8 Foot**

48W / 68W / 90W

### CONSTRUCTION:

22-gauge metal housing with matte white paint. PMMA cover lens. Frosted lens. PC endcaps, quick-connector adaptor for continuous-run mounting.

### OPTICAL SYSTEM:

Seoul 2835 LED chips. High quality tempered glass optics. 120° beam angle.

### WARRANTY:

5-year limited warranty. Actual performance may differ as a result of end-user environment and application.

### ELECTRICAL:

Available as 120-277V input. -20°C to 50°C, -4°F to 122°F

### INSTALLATION & MOUNTING:

Hanging chain, surface mount or J-adaptor. These can link together. 4FT: up to 20 pieces. 8FT: up to 10 pieces.

### CONTROLS & DIMMING:

0-10V dimming comes standard.

### FEATURES

- Default Wattage is the highest wattage:
  - 4 Foot – 44W
  - 8 Foot – 90W
- Default CCT: 5,000K
- IP20 rated
- Linkable design
- 50,000 hours lifetime

### SUITABLE APPLICATIONS

- Warehouses
- Stadiums
- Factories
- Parking Lots
- Shopping Malls
- Supermarkets
- Logistic Centers
- Auto dealerships

### MOUNTING OPTIONS:



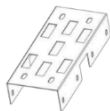
V-Hook (included)



J-Box Cover (included)



Aircraft Cable



Bracket for linking together (included)

### DLC Product ID:

- LOC-4FTSL-MW(22/28/36/44)MCCT(35/40/50)DF – PL68JNBA9PJ5
- LOC-8FTSL-MW(48/68/90)MCCT(35/40/50)DF – PLFZJ2PHOFKZ
- LOC-4FTSL-MW(22/28/36/44)MCCT(35/40/50)DF-EM – PL68JNBA9PJ5
- LOC-4FTSL-MW(22/28/36/44)MCCT(35/40/50)DF-EM-MS – PL68JNBA9PJ5
- LOC-4FTSL-MW(22/28/36/44)MCCT(35/40/50)DF – PLUCF8ZLNQWOL (stairwell)

TAA Compliant Option Available.  
Contact your Sales Representative for more information.



### OPTIONAL ACCESSORIES:



HB001 VCR 1



Remote Control  
LOC-GDHB-HD05R



Emergency Back-up

**Note:** We have the 4FT model in stock with an emergency battery pre-installed AND the 4FT model in stock with a motion sensor and emergency battery pre-installed.

## LOC-4FTSL-MW(22/28/36/44)MCCT(35/40/50)DF

WATTAGE SELECTABLE	Multi CCT	LUMENS	EFFICACY	VOLTAGE	CRI	POWER FACTOR	THD	REPLACES
22W	3500K / 4000K / 5000K	2,862.2LM	130.1lm/W	120-277V	80	0.9	10%	2 pcs 17W T8 lamp or 2 pcs 32W T8 lamp
28W	3500K / 4000K / 5000K	3,642.8LM	130.1lm/W	120-277V	80	0.9	10%	2 pcs 17W T8 lamp or 2 pcs 32W T8 lamp
36W	3500K / 4000K / 5000K	4,683.6LM	130.1lm/W	120-277V	80	0.9	10%	2 pcs 17W T8 lamp or 2 pcs 32W T8 lamp
44W	3500K / 4000K / 5000K	5,726.9LM	129.77lm/W	120-277V	84	0.9739	6.82%	2 pcs 17W T8 lamp or 2 pcs 32W T8 lamp

## LOC-8FTSL-MW(48/68/90)MCCT(35/40/50)DF

WATTAGE SELECTABLE	Multi CCT	LUMENS	EFFICACY	VOLTAGE	CRI	POWER FACTOR	THD	REPLACES
48W	3500K / 4000K / 5000K	6,590.4LM	137.3lm/W	120-277V	80	0.9	10%	2 pcs 17W T8 lamp or 4 pcs 32W T8 lamp or 2 pcs 59W T8 lamp
68W	3500K / 4000K / 5000K	9,336.4LM	137.3lm/W	120-277V	80	0.9	10%	2 pcs 17W T8 lamp or 4 pcs 32W T8 lamp or 2 pcs 59W T8 lamp
90W	3500K / 4000K / 5000K	12,062LM	138.98lm/W	120-277V	84.1	0.9784	13.42%	2 pcs 17W T8 lamp or 4 pcs 32W T8 lamp or 2 pcs 59W T8 lamp

## LOC-4FTSL-MW(22/28/36/44)MCCT(35/40/50)DF-EM (WITH EMERGENCY BATTERY)

WATTAGE SELECTABLE	Multi CCT	LUMENS	EFFICACY	VOLTAGE	CRI	POWER FACTOR	THD	REPLACES
22W	3500K / 4000K / 5000K	2,862.2LM	130.1lm/W	120-277V	80	0.9	10%	2 pcs 17W T8 lamp or 2 pcs 32W T8 lamp
28W	3500K / 4000K / 5000K	3,642.8LM	130.1lm/W	120-277V	80	0.9	10%	2 pcs 17W T8 lamp or 2 pcs 32W T8 lamp
36W	3500K / 4000K / 5000K	4,683.6LM	130.1lm/W	120-277V	80	0.9	10%	2 pcs 17W T8 lamp or 2 pcs 32W T8 lamp
44W	3500K / 4000K / 5000K	5,726.9LM	129.77lm/W	120-277V	84	0.9739	6.82%	2 pcs 17W T8 lamp or 2 pcs 32W T8 lamp

## LOC-4FTSL-MW(22/28/36/44)MCCT(35/40/50)DF-EM-MS (WITH MOTION SENSOR AND EMERGENCY BATTERY)

WATTAGE SELECTABLE	Multi CCT	LUMENS	EFFICACY	VOLTAGE	CRI	POWER FACTOR	THD	REPLACES
22W	3500K / 4000K / 5000K	2,862.2LM	130.1lm/W	120-277V	80	0.9	10%	2 pcs 17W T8 lamp or 2 pcs 32W T8 lamp
28W	3500K / 4000K / 5000K	3,642.8LM	130.1lm/W	120-277V	80	0.9	10%	2 pcs 17W T8 lamp or 2 pcs 32W T8 lamp
36W	3500K / 4000K / 5000K	4,683.6LM	130.1lm/W	120-277V	80	0.9	10%	2 pcs 17W T8 lamp or 2 pcs 32W T8 lamp
44W	3500K / 4000K / 5000K	5,726.9LM	129.77lm/W	120-277V	84	0.9739	6.82%	2 pcs 17W T8 lamp or 2 pcs 32W T8 lamp

### Emergency Battery



### Emergency Test Button



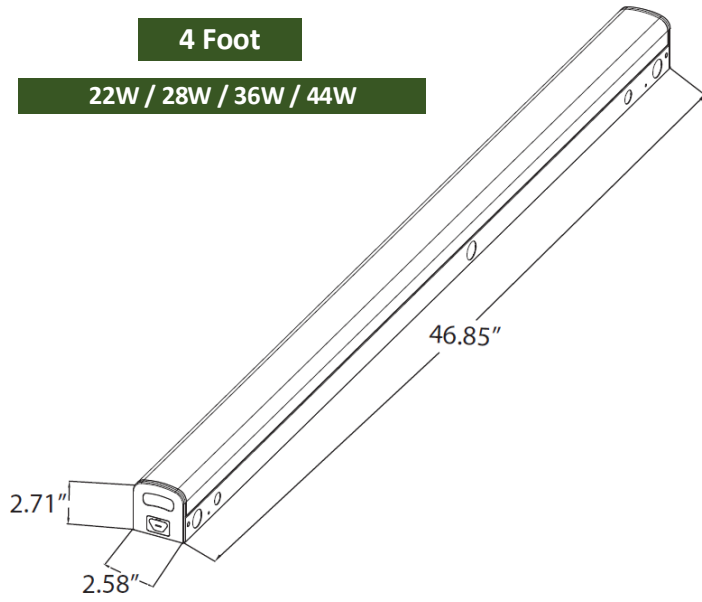
### Motion Sensor



# MEASUREMENTS

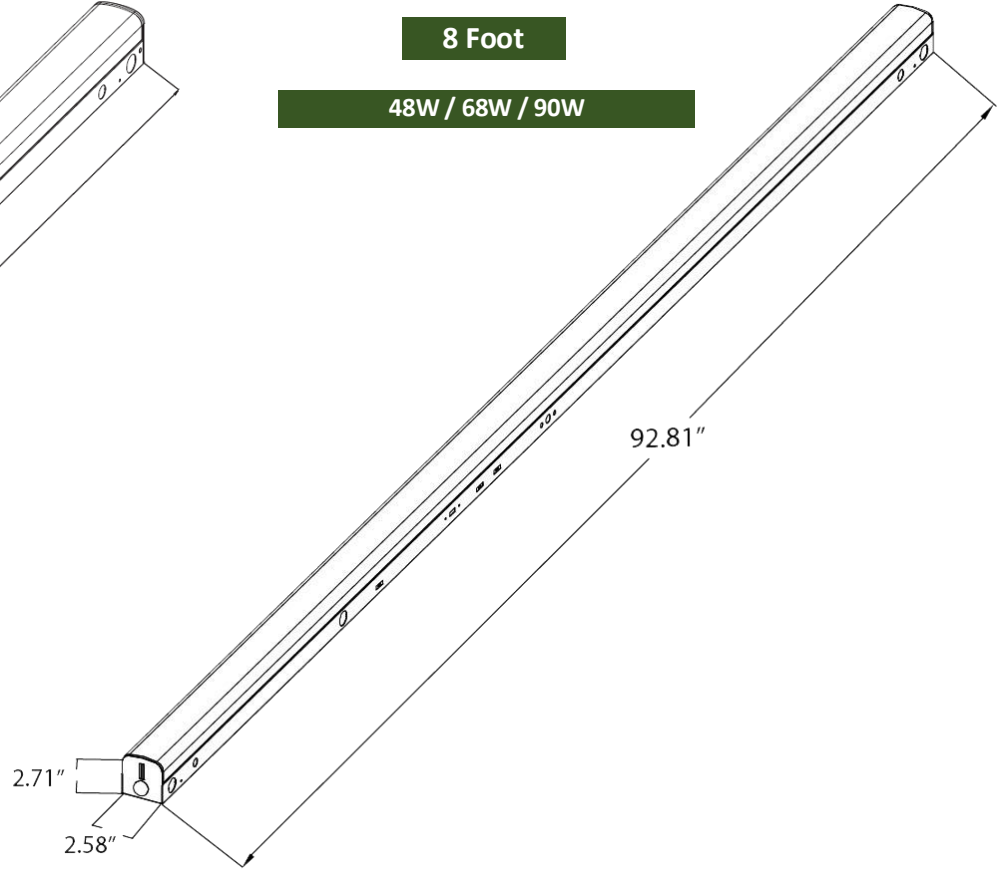
4 Foot

22W / 28W / 36W / 44W



8 Foot

48W / 68W / 90W



MODEL	QTY	NET WEIGHT	MASTER CARTON SIZE	GROSS WEIGHT	PCS CTN	UPC CODE
LOC-4FTSL-MW(22/28/36/44)MCCT(35/40/50)DF	1	4.85lbs	48.62" x 12.99" x 7.09"	39lbs	8	00810050940108
LOC-8FTSL-MW(48/68/90)MCCT(35/40/50)DF	1	11.8lbs	95.04" x 7.09" x 6.69"	39.68lbs	4	00810050940184
LOC-4FTSL-MW(22/28/36/44)MCCT(35/40/50)DF-EM	1	37.4lbs	48.62" x 12.99" x 7.09"	42.99lbs	8	00810050941037
LOC-4FTSL-MW(22/28/36/44)MCCT(35/40/50)DF-EM-MS	1	41.89lbs	48.62" x 12.99" x 7.09"	47.4lbs	8	00810050941624