

Date: _____ Location: _____
 Product: _____ Project: _____
 Quantity: _____ Catalog #: _____

LED LOC-LWAL Area Light Series



FEATURES

- IP66 rated – wet location
- Corrosion and rust proof
- Sensors install in the front
- 50,000 hours lifetime

SUITABLE APPLICATIONS

- Warehouses
- Stadiums
- Factories
- Supermarkets
- Logistic Centers
- Exhibition Halls

CONSTRUCTION:

Die-cast aluminum housing treated by anodic oxidation. 2 holes in the center for better heat sink. Driver is easily accessible.

OPTICAL SYSTEM:

Bridgelux SMD 3030 LED chips. 120° beam angle. Type 3 lens standard.

WARRANTY:

5-year limited warranty. Actual performance may differ as a result of end-user environment and application.

ELECTRICAL:

Available as 120-347V or 200-480V input. 10KV surge protection. -40°C to 50°C, -40°F to 122°F

INSTALLATION & MOUNTING:

Pole Mounting. Extruded Arm (round or square pole), Slip Fitter, Slip Fitter Extruded Arm (round or square pole) or Trunnion.

CONTROLS & DIMMING:

0-10V dimming comes standard with LV models only. Motion sensor, photocell and remote-control options available with LV models only.

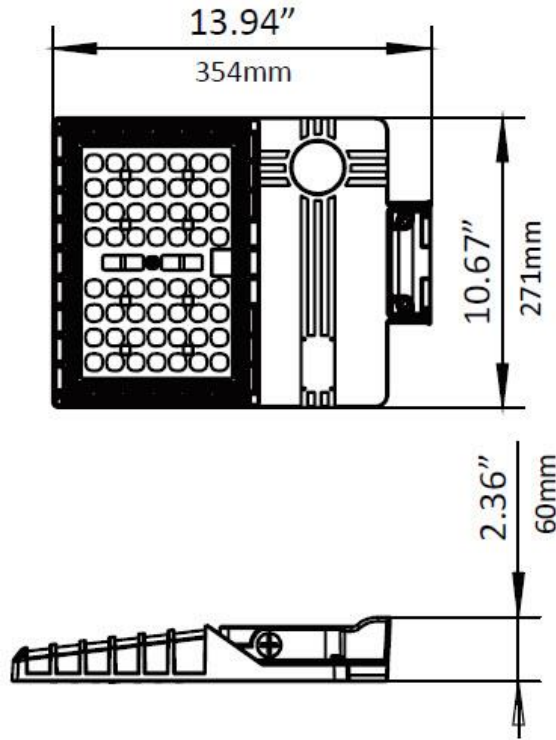


120-347V Models

MODEL NUMBER – 5,000K	LENS	WATTAGE	LUMENS	EFFICACY	CRI	POWER FACTOR	THD	REPLACES
LOC-LWAL-80W50KD-T3LV[MS;NS]Z	Type 3	80W	11,496.7LM	145.49LM/W	70	0.9	15%	175W – 250W HID
LOC-LWAL-100W50KD-T3LV[MS;NS]Z	Type 3	100W	13,579.7LM	141.15LM/W	70	0.9	15%	250W – 400W HID

Series	Wattage	CCT Option	Dimming Options for LV models only	Lens	Voltage
LOC-LWAL	80W 100W	5000K	0-10V Dimming Integrated Motion Sensor	T3 = Type 3 lens	LV = 120-347VAC

MEASUREMENTS (120-347V)



MODEL	QUANTITY	WEIGHT	UPC CODE
LOC-LWAL-80W50KD-T3LV[MS;NS]Z	1	7.94 lbs	00815586029082
LOC-LWAL-100W50KD-T3LV[MS;NS]Z	1	7.94 lbs	00815586029099

OPTIONAL ACCESSORIES



Motion Sensor
HD06VCRH
(Compatible with remote control)



Remote Control
LOC-GDHB-HD05R



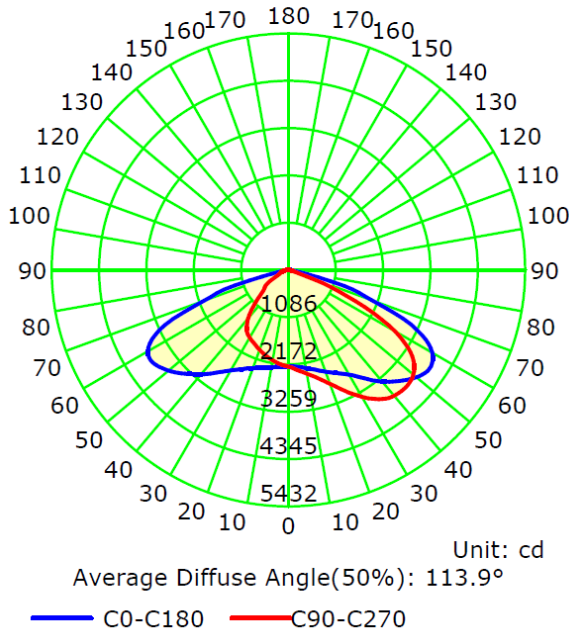
Photocell
HS05
(Compatible with remote control)

PHOTOMETRIC DATA

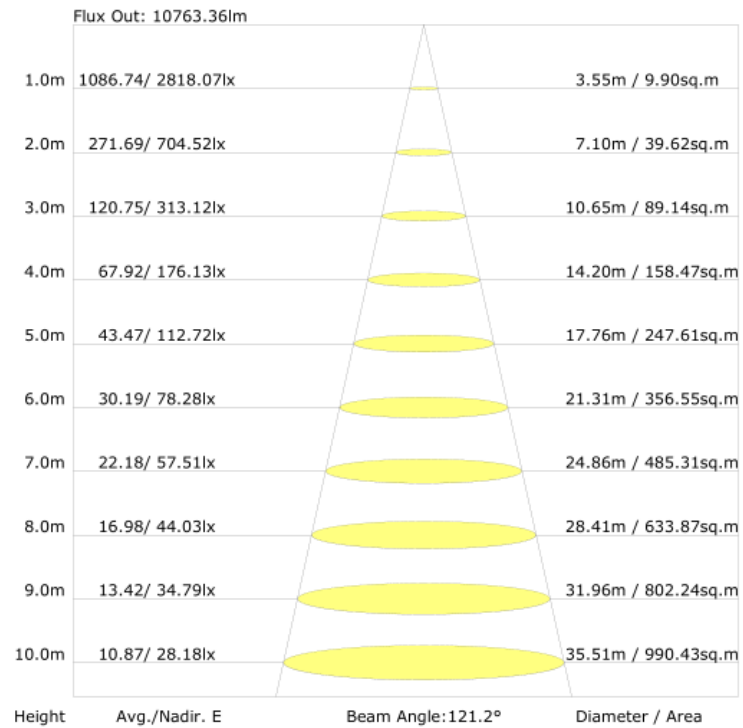
80W

BUG Rating: B3-U3-G2

Luminous Intensity Distribution Curve



The Average Illuminance Effective Figure



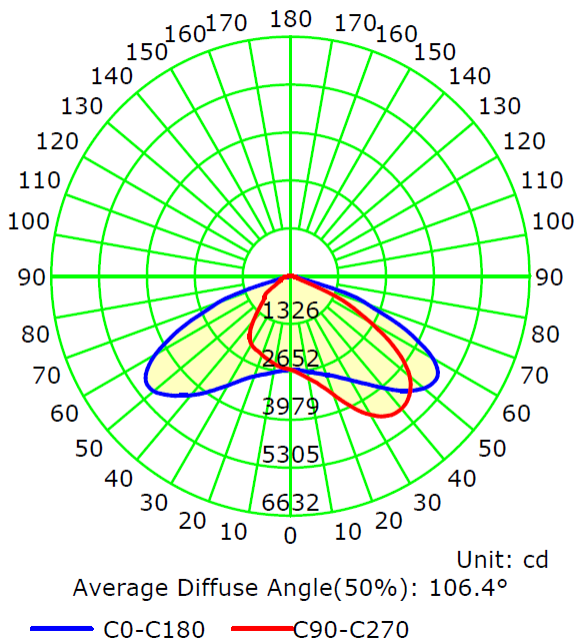
EPA:

100W

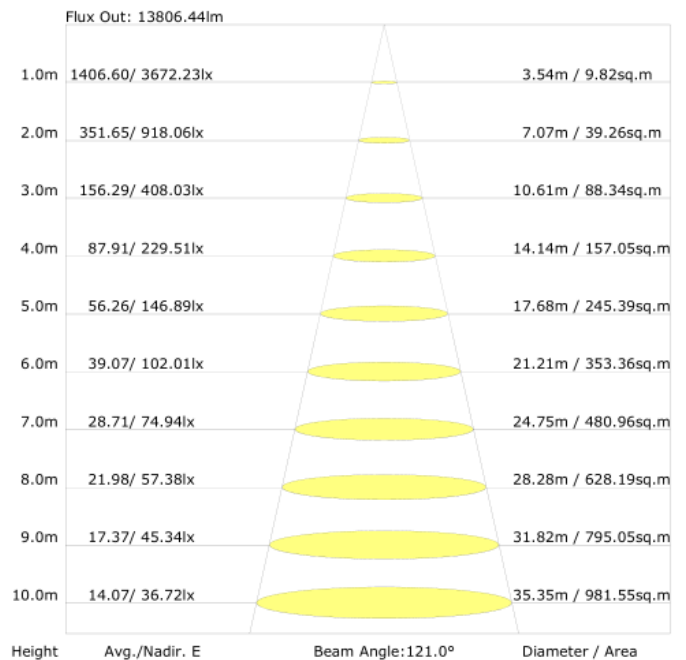
BUG Rating: B3-U3-G2

Single	2*180°	2*90°	3*90°	3*120°	4*90°
0.636	1.279	1.001	1.637	1.335	2.003

Luminous Intensity Distribution Curve



The Average Illuminance Effective Figure



MOUNTING OPTIONS



Extruded Arm



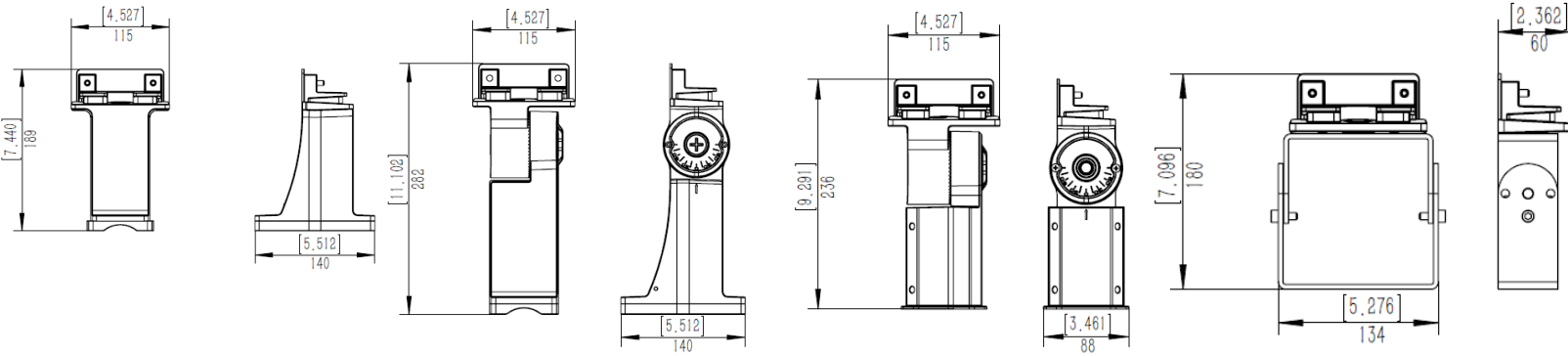
Slip Fitter Extruded Arm



Slip Fitter



Trunnion



Dimensions for Screw Holes

