

LED LOC-MUFL Flood Light Family Series



100W

CONSTRUCTION:

Aluminum housing with polyester powder-coated finish.

OPTICAL SYSTEM:

Nichia 3030 LED chips. High quality tempered glass optics. 120° beam angle.

WARRANTY:

5-year limited warranty. Actual performance may differ as a result of end-user environment and application.

ELECTRICAL:

Available as 120-347V input. -20°C to 50°C, -4°F to 122°F

INSTALLATION & MOUNTING:

Bracket mounting.

FEATURES

- IP66 rated
- Easy installation and maintenance
- No Mercury or UV
- Photocell on the bottom (unscrew cap to activate)
- 50,000 hours lifetime

SUITABLE APPLICATIONS

- Warehouses
- Stadiums
- Factories
- Parking Lots
- Shopping Malls
- Supermarkets
- Logistic Centers
- Auto dealerships



150W

DLC Product ID:

- LOC-MUFL-100W50KD – PL6RCQWR554I
- LOC-MUFL-150W50KD – PLHN18H306KY



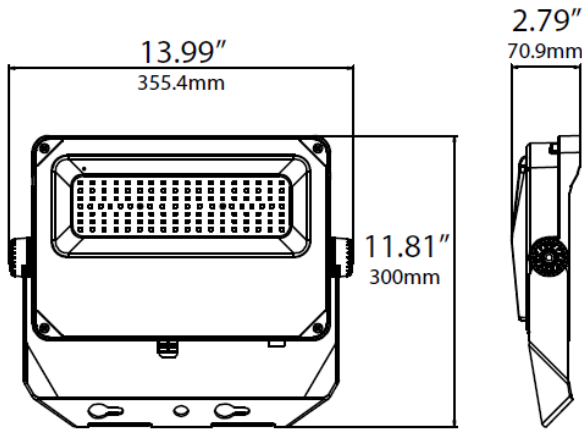
LOC-MUFL-100W50KD

WATTAGE	CCT	LUMENS	EFFICACY	VOLTAGE	CRI	POWER FACTOR	THD	REPLACES
100W	5000K	14,200LM	142lm/W	120-277V	70	0.9	15%	200W – 250W HID

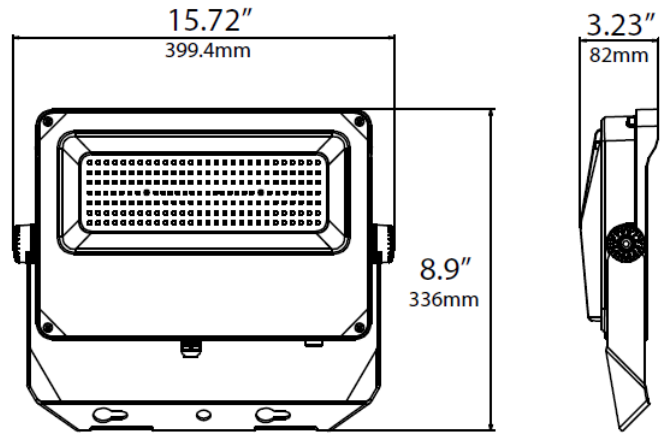
LOC-MUFL-150W50KD

WATTAGE	CCT	LUMENS	EFFICACY	VOLTAGE	CRI	POWER FACTOR	THD	REPLACES
150W	5000K	21,750LM	145lm/W	120-277V	70	0.9	15%	300W – 400W HID

MEASUREMENTS



100W



150W

MODEL	QUANTITY	WEIGHT	UPC CODE
LOC-MUFL-100W50KD	1	lbs	00810050941389
LOC-MUFL-150W50KD	1	lbs	00810050941396