

LED LOC-RGAL Area Light Series

FEATURES

- IP65 rated
- Full cut off
- Easy installation and maintenance
- Corrosion and rust proof
- 50,000 hours lifetime

SUITABLE APPLICATIONS

- Warehouses
- Stadiums
- Factories
- Parking Lots
- Supermarkets
- Logistic Centers
- Exhibition Halls



150W



240W

Special Order:

- Other CCTs
- Type 2 lens
- Type 4 lens
- Type 5 lens

CONSTRUCTION:

Die-cast aluminum housing treated by anodic oxidation.

OPTICAL SYSTEM:

Bridgelux SMD 3030 LED chips. 120° beam angle. Type 3 lens standard.

WARRANTY:

5-year limited warranty. Actual performance may differ as a result of end-user environment and application.

ELECTRICAL:

Available as 347-480V input. 10KV surge protection. -40°C to 50°C, -40°F to 122°F

INSTALLATION & MOUNTING:

Pole Mounting - Extruded Adjustable Arm, Adjustable Slip Fitter, Trunnion or U-Bracket.

CONTROLS & DIMMING:

0-10V dimming comes standard. Motion sensor, photocell and remote-control options available.

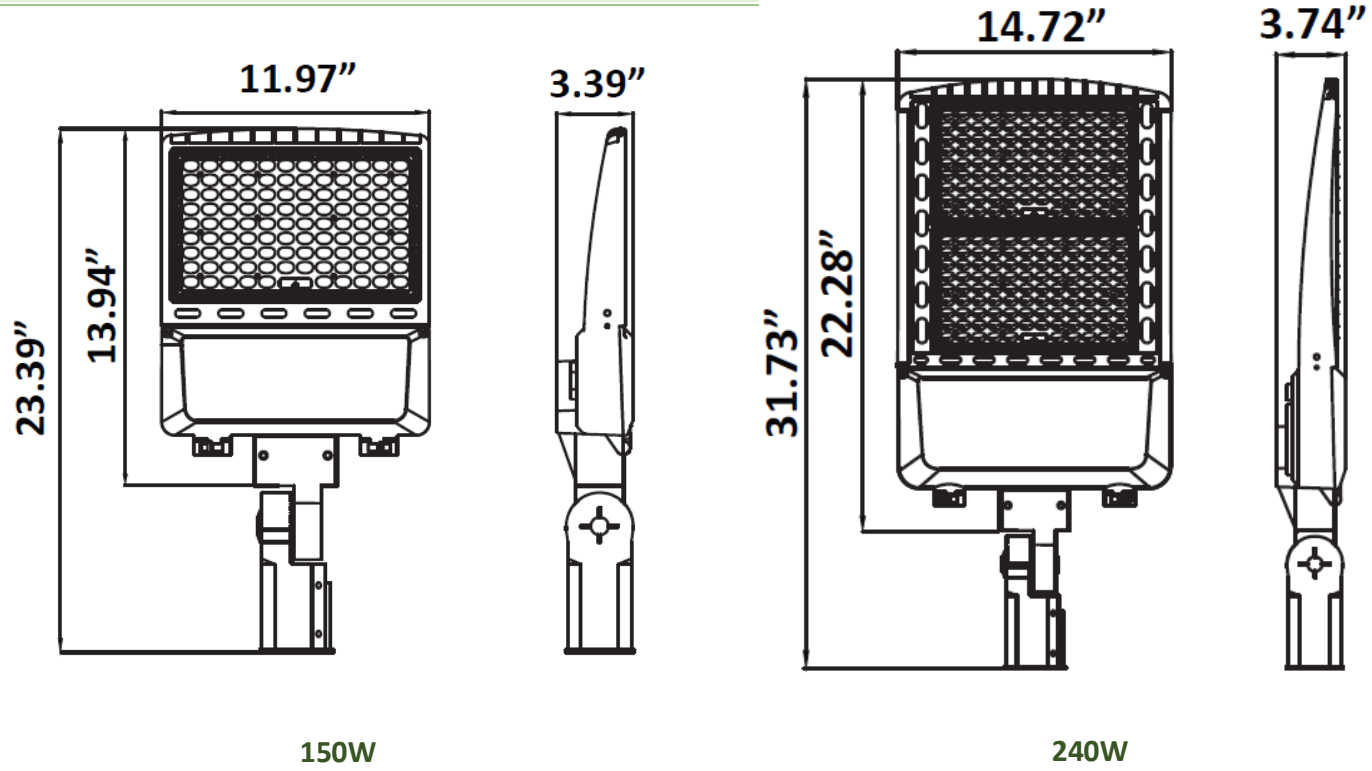


347-480V Models

MODEL NUMBER – 5,000K	WATTAGE	LUMENS	EFFICACY	CRI	POWER FACTOR	THD	REPLACES
LOC-RGAL-150W-50KD-T3HV[Blank or -AA to -ZZ][Blank or 1 to 4]	150W	22,800LM	152LM/W	70	0.9	20%	400W – 600W HID
LOC-RGAL-240W-50KD-T3HV[Blank or -AA to -ZZ][Blank or 1 to 4]	240W	36,480LM	152LM/W	70	0.9	20%	600W – 750W HID

Series	Wattage	Color Temperature	Lens Type	Voltage
LOC-RGAL	150W 240W	5000K	T3 = Type 3	HV = 347-480V

MEASUREMENTS



MODEL	QUANTITY	WEIGHT	UPC CODE
LOC-RGAL-150W-50KD-T3HV[Blank or -AA to -ZZ][Blank or 1 to 4]	1	9.33 lbs	00815586025510
LOC-RGAL-240W-50KD-T3HV[Blank or -AA to -ZZ][Blank or 1 to 4]	1	15.28 lbs	00815586025541

OPTIONAL ACCESSORIES



Motion Sensor
LOC-ANT-5-4T
(Compatible with remote control)



Remote Control
LOC-RC-100



Photocell (Daylight Sensor)
LOC-SK-101-4T
(Not compatible with remote control)

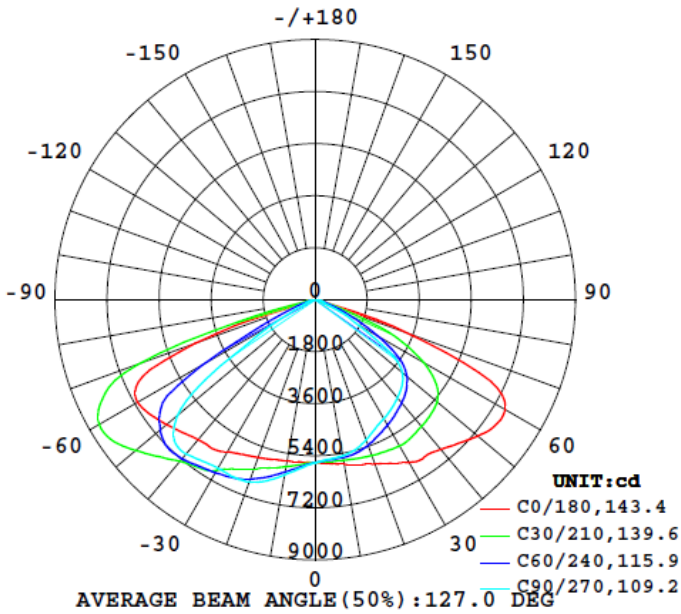


EPA: 0.96

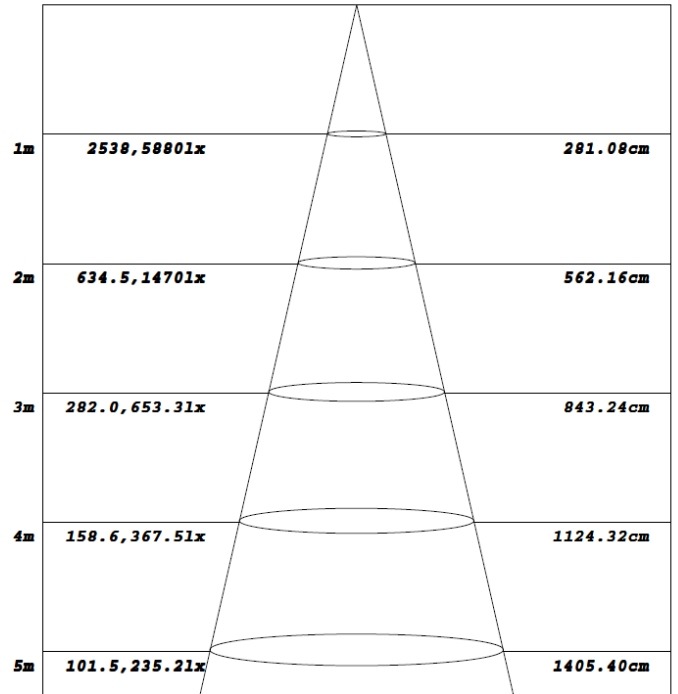
150W

BUG Rating: B4-U3-G4

Length	Width	Square Feet	Adjustable Coefficient
16.50"	12.00"	1.38	0.70



Flux out: 16261 lm



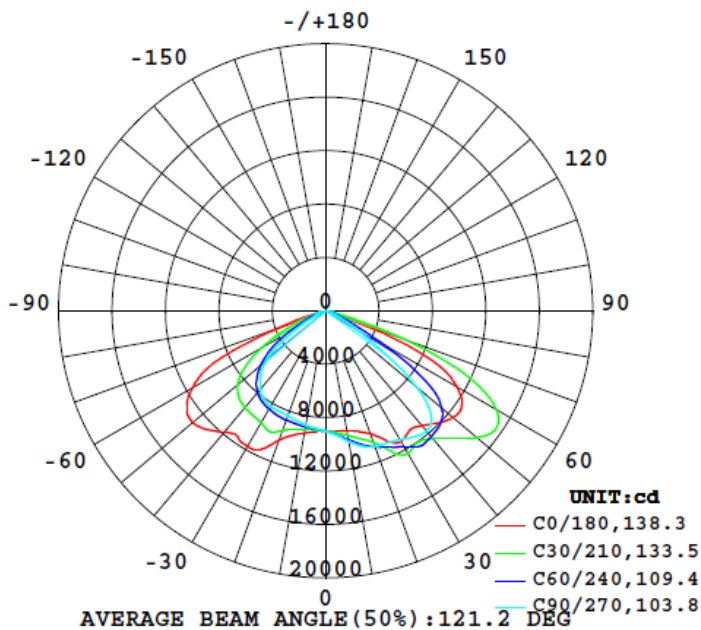
Note: The Curves indicate the illuminated area and the average illumination when the luminaire is at different distance.

EPA: 1.96

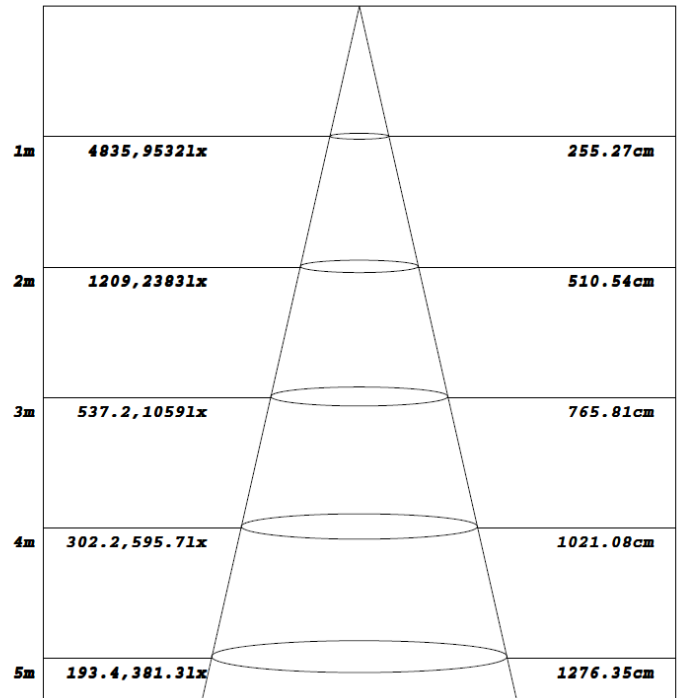
240W

BUG Rating: B5-U3-G3

Length	Width	Square Feet	Adjustable Coefficient
24.80"	15.20"	2.62	0.75



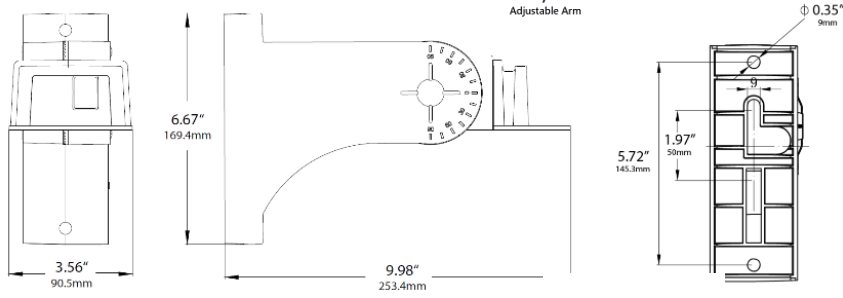
Flux out: 24882 lm



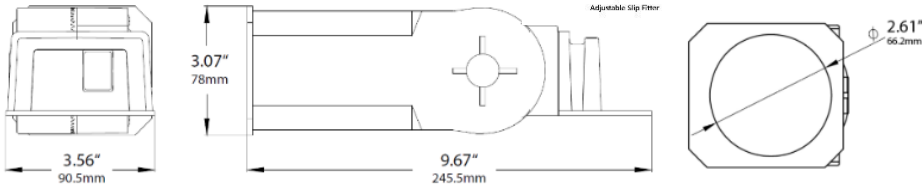
Note: The Curves indicate the illuminated area and the average illumination when the luminaire is at different distance.

MOUNTING OPTIONS

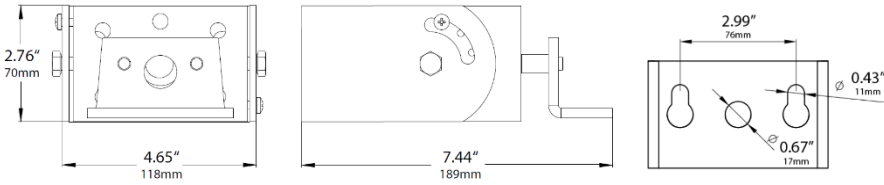
Adjustable Arm



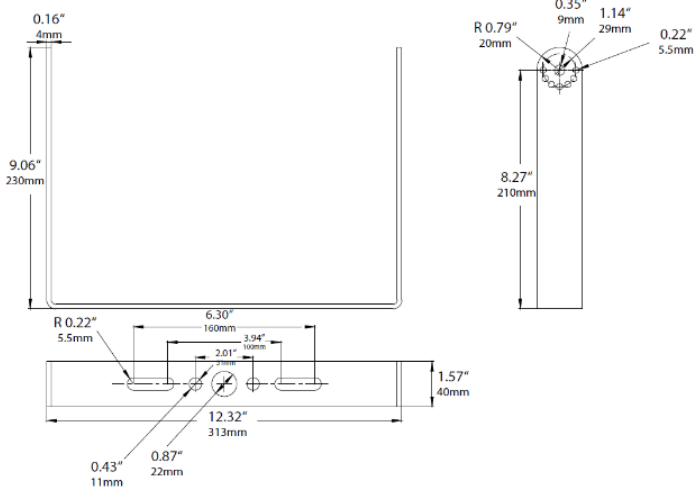
Adjustable Slip Fitter



Trunnion



150W and below U-Bracket



240W – 320W U-Bracket

