

LED LOC-RGAL Area Light Family Series



75W / 100W / 120W / 150W



160W / 200W / 240W / 320W

MOUNTING OPTIONS:



Adjustable Arm



150W U-Bracket
320W U-Bracket



Adjustable Slip Fitter



Trunnion

CONSTRUCTION:

Bronze die-cast aluminum housing treated by anodic oxidation.

OPTICAL SYSTEM:

Lumileds 3030 LED chips. 120° beam angle. Type 3 lens standard.

WARRANTY:

5-year limited warranty. Actual performance may differ as a result of end-user environment and application.

ELECTRICAL:

Available as 120-277V or 347-480V input. 10KV surge protection. -40°C to 40°C, -40°F to 104°F

INSTALLATION & MOUNTING:

Pole Mounting - Extruded Adjustable Arm, Adjustable Slip Fitter, Trunnion or U-Bracket.

CONTROLS & DIMMING:

0-10V dimming comes standard. Motion sensor, photocell and remote-control options available.

FEATURES

- Default Wattages:
 - 150W
 - 320W
- Default CCT: 5,000K
- IP65 rated
- Full cut off
- Easy installation and maintenance
- Corrosion and rust proof
- 50,000 hours lifetime

SUITABLE APPLICATIONS

- Warehouses
- Stadiums
- Factories
- Parking Lots
- Supermarkets
- Logistic Centers
- Exhibition Halls

DLC Product ID:

- LOC-RGAL-MW(75/100/120/150)50KD-T3LV - P6Z40T5F
- LOC-RGAL-MW(160/200/240/320)50KD-T3LV - PT2FSPUV
- LOC-RGAL-MW(75/100/120/150)50KD-T3HV - S-W1XC4I
- LOC-RGAL-MW(160/200/240/320)50KD-T3HV - S-NIYTVM
- LOC-RGAL-MW(75/100/120/150)MCCT(30/40/50)D-T3LV -- S-18XFBR
- LOC-RGAL-MW(160/200/240/320)MCCT(30/40/50)D-T3LV - S-OYHNGQ

TAA Compliant Option Available.

Contact your Sales Representative for more information.



OPTIONAL ACCESSORIES:



Microwave Sensor
LOC-ACY-S-MWS-01-G1
(Compatible with LOC-RC-WHITE-G1)



Microwave Bluetooth Sensor
LOC-ACY-S-MWS-BT-01-G1
(Compatible with App)



PIR Sensor
LOC-ACY-S-PIRS-01-G1
(Compatible with LOC-RC-WHITE-G1)



PIR Bluetooth Sensor
LOC-ACY-S-PIRS-BT-01-G1
(Compatible with App)



Remote Control
LOC-RC-WHITE-G1

WATTAGE	BUG RATING	EPA
75W	B3-U2-G2	0.96
100W	B3-U2-G3	0.96
120W	B3-U2-G3	0.96
150W	B4-U1-G3	0.96
160W	B5-U3-G3	1.96
200W	B5-U3-G3	1.96
240W	B5-U3-G4	1.96
320W	B5-U3-G4	1.96



150W Rear Shield
320W Rear Shield



Photocell (Daylight Sensor)
LOC-SK-101-4T
(Not compatible with remote control)



Motion Sensor
LOC-ANT-5-4T
(Compatible with LOD-RC-100)



Remote Control
LOD-RC-100

LOC-RGAL-MW(75/100/120/150)50KD-T3LV

WATTAGE SELECTABLE	CCT	LUMENS	EFFICACY	VOLTAGE	CRI	POWER FACTOR	THD	REPLACES
75W	5000K	12,000LM	148.45lm/W	120-277V	70	0.974	8%	175W – 600W HID
100W	5000K	14,845LM	148.45lm/W	120-277V	70	0.974	8%	175W – 600W HID
120W	5000K	17,814LM	148.45lm/W	120-277V	70	0.974	8%	175W – 600W HID
150W	5000K	22,386LM	148.45lm/W	120-277V	70	0.974	8%	175W – 600W HID

LOC-RGAL-MW(160/200/240/320)50KD-T3LV

WATTAGE SELECTABLE	CCT	LUMENS	EFFICACY	VOLTAGE	CRI	POWER FACTOR	THD	REPLACES
160W	5000K	25,600LM	144lm/W	120-277V	70	0.9	20%	600W – 1,000W HID
200W	5000K	28,800LM	144lm/W	120-277V	70	0.9	20%	600W – 1,000W HID
240W	5000K	34,560LM	144lm/W	120-277V	70	0.9	20%	600W – 1,000W HID
320W	5000K	46,000LM	144lm/W	120-277V	70	0.9	20%	600W – 1,000W HID

LOC-RGAL-MW(75/100/120/150)50KD-T3HV

WATTAGE SELECTABLE	CCT	LUMENS	EFFICACY	VOLTAGE	CRI	POWER FACTOR	THD	REPLACES
75W	5000K	11,250LM	150lm/W	347-480V	70	0.9	20%	175W – 600W HID
100W	5000K	15,000LM	150lm/W	347-480V	70	0.9	20%	175W – 600W HID
120W	5000K	18,000LM	150lm/W	347-480V	70	0.9	20%	175W – 600W HID
150W	5000K	22,500LM	150lm/W	347-480V	70	0.9	20%	175W – 600W HID

LOC-RGAL-MW(160/200/240/320)50KD-T3HV

WATTAGE SELECTABLE	CCT	LUMENS	EFFICACY	VOLTAGE	CRI	POWER FACTOR	THD	REPLACES
160W	5000K	24,000LM	150lm/W	347-480V	70	0.9	20%	600W – 1,000W HID
200W	5000K	30,000LM	150lm/W	347-480V	70	0.9	20%	600W – 1,000W HID
240W	5000K	36,000LM	150lm/W	347-480V	70	0.9	20%	600W – 1,000W HID
320W	5000K	48,000LM	150lm/W	347-480V	70	0.9	20%	600W – 1,000W HID

LOC-RGAL-MW(75/100/120/150)MCCT(30/40/50)D-T3LV

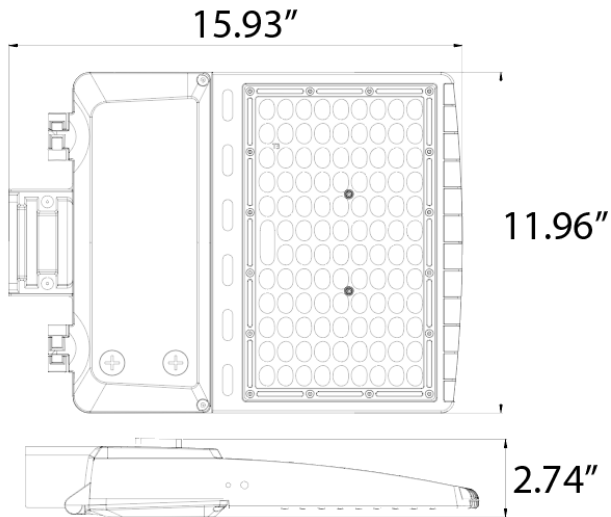
WATTAGE SELECTABLE	CCT SELECTABLE	LUMENS	EFFICACY	VOLTAGE	CRI	POWER FACTOR	THD	REPLACES
75W	3000K / 4000K / 5000K	10,240.5LM	145LM/W	120-277V	71	0.974	8.3%	175W – 600W HID
100W	3000K / 4000K / 5000K	13,654LM	145LM/W	120-277V	71	0.974	8.3%	175W – 600W HID
120W	3000K / 4000K / 5000K	16,384.8LM	136.54LM/W	120-277V	71	0.974	8.3%	175W – 600W HID
150W	3000K / 4000K / 5000K	20,481LM	136.54LM/W	120-277V	71	0.974	8.3%	175W – 600W HID

LOC-RGAL-MW(160/200/240/320)MCCT(30/40/50)D-T3LV

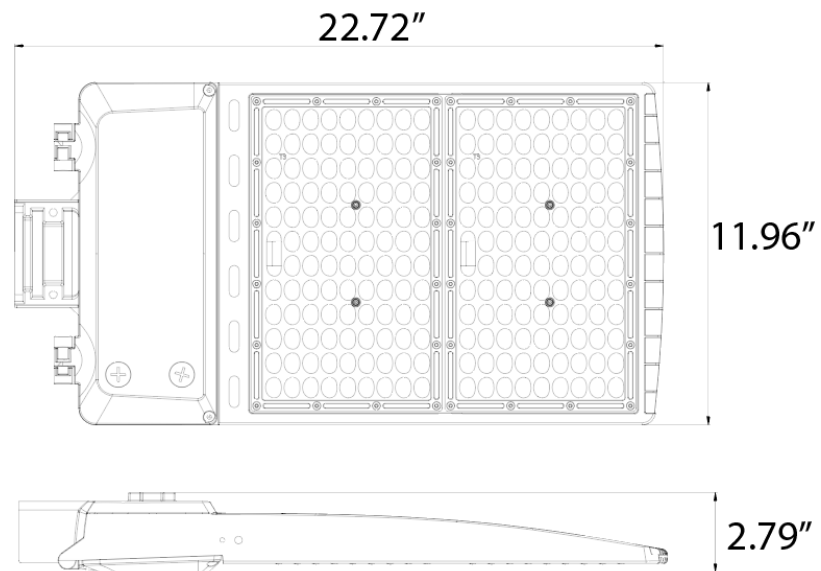
WATTAGE SELECTABLE	CCT SELECTABLE	LUMENS	EFFICACY	VOLTAGE	CRI	POWER FACTOR	THD	REPLACES
160W	3000K / 4000K / 5000K	23,200LM	145lm/W	120-277V	70	0.9	20%	600W – 1,000W HID
200W	3000K / 4000K / 5000K	29,000LM	145lm/W	120-277V	70	0.9	20%	600W – 1,000W HID
240W	3000K / 4000K / 5000K	34,800LM	145lm/W	120-277V	70	0.9	20%	600W – 1,000W HID
320W	3000K / 4000K / 5000K	46,400LM	145lm/W	120-277V	70	0.9	20%	600W – 1,000W HID

MEASUREMENTS

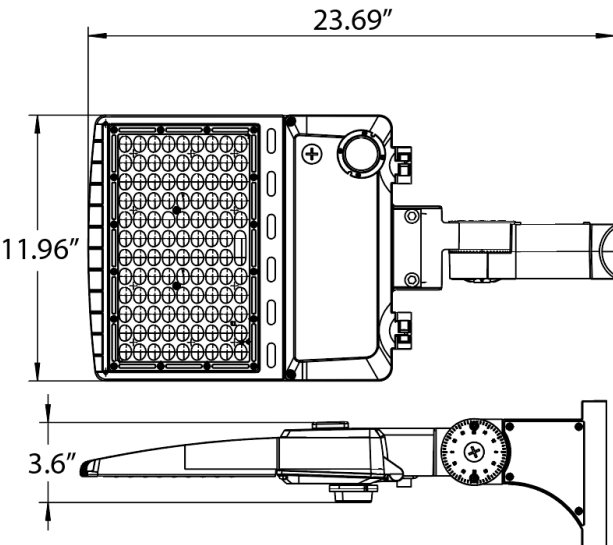
75W / 100W / 120W / 150W



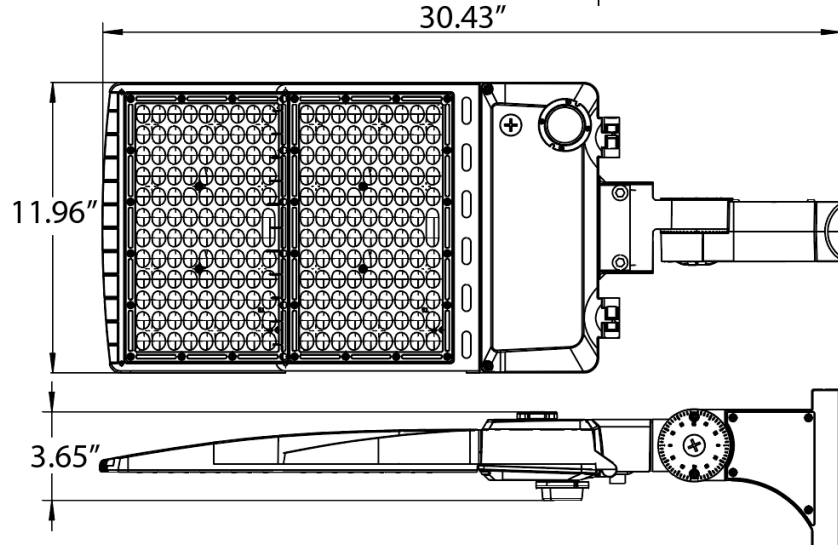
160W / 200W / 240W / 320W



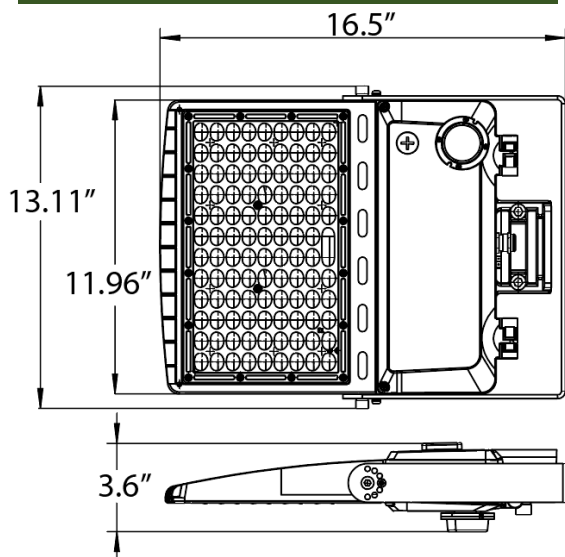
75W / 100W / 120W / 150W with Arm



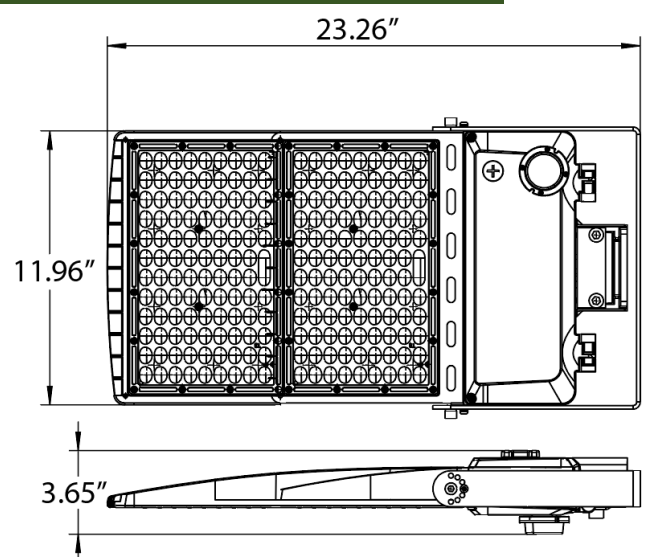
160W / 200W / 240W / 320W with Arm



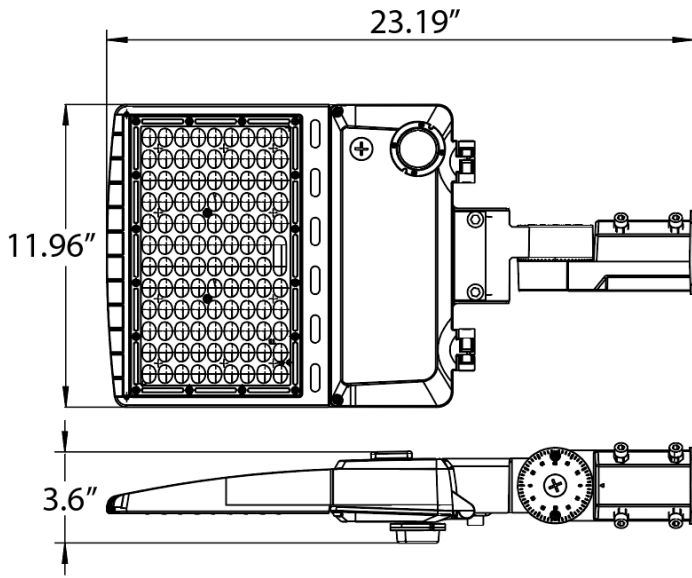
75W / 100W / 120W / 150W with U-Bracket



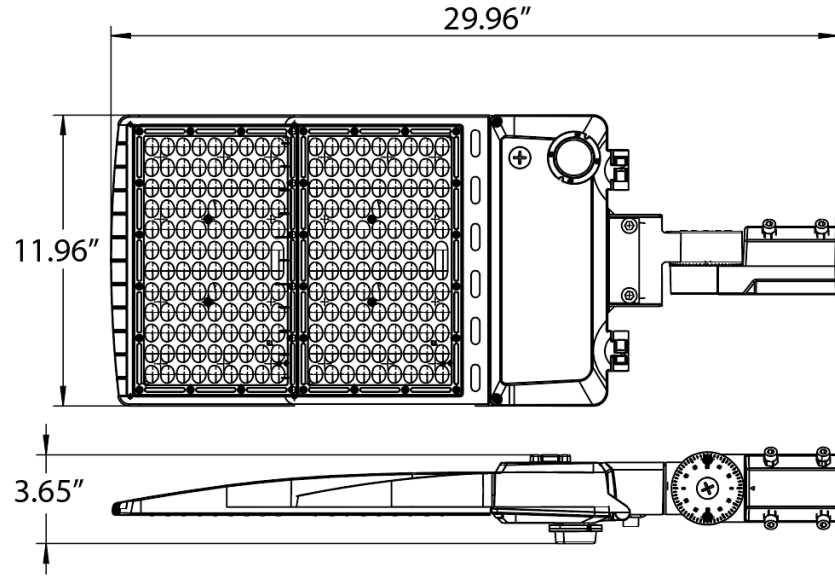
160W / 200W / 240W / 320W with U-Bracket



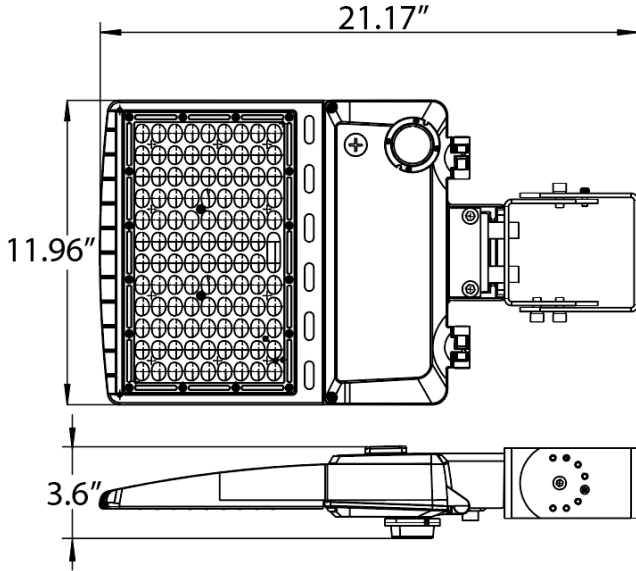
75W / 100W / 120W / 150W with Slip Fitter



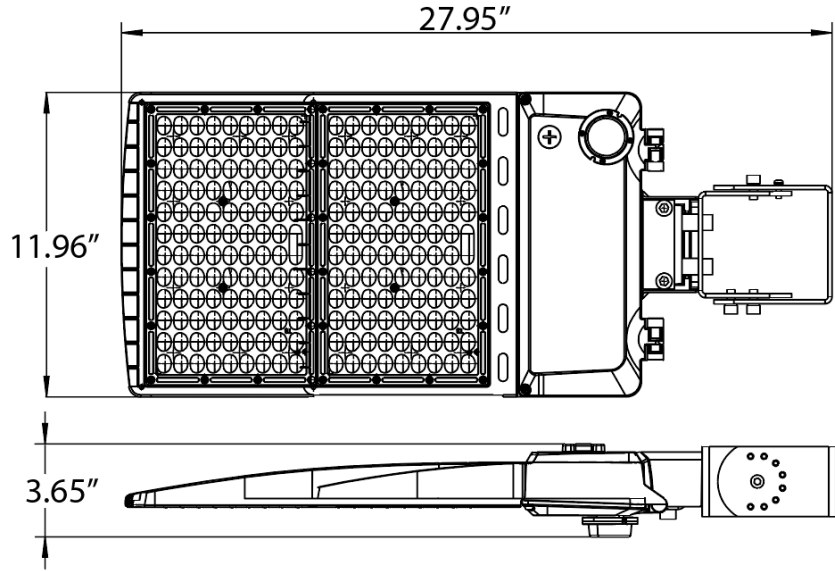
160W / 200W / 240W / 320W with Slip Fitter



75W / 100W / 120W / 150W with Trunnion



160W / 200W / 240W / 320W with Trunnion



MODEL	QTY	NET WEIGHT	MASTER CARTON SIZE	GROSS WEIGHT	PCS CTN	UPC CODE
LOC-RGAL-MW(75/100/120/150)50KD-T3LV	1	9.48lbs	28.15" x 16.73" x 5.31"	10.36lbs	1	00810050941327
LOC-RGAL-MW(160/200/240/320)50KD-T3LV	1	15.43lbs	25.59" x 16.14" x 5.3"	17.2lbs	1	00810050941723
LOC-RGAL-MW(75/100/120/150)50KD-T3HV	1	9.48lbs	17.13" x 13.19" x 4.92"	10.36lbs	1	00810050942782
LOC-RGAL-MW(160/200/240/320)50KD-T3HV	1	15.43lbs	25.59" x 16.14" x 5.3"	17.2lbs	1	00810050942775
LOC-RGAL-MW(75/100/120/150)MCCT(30/40/50)D-T3LV	1	9.48lbs	17.13" x 13.19" x 4.92"	10.36lbs	1	00810050941709
LOC-RGAL-MW(160/200/240/320)MCCT(30/40/50)D-T3LV	1	15.43lbs	28.15" x 16.73" x 5.31"	17.3lbs	1	00810050942768