

LED Knuckle Mount Flood Light Family Series

CONSTRUCTION:

Heavy die-cast aluminum housing with polyester powder-coated finish. Integral secondary heat sink to optimize thermal transfer and maximize performance of the LEDs. Driver is mounted in direct contact with the casting for low operating temperature.

OPTICAL SYSTEM:

Philips Lumiled 3030 LED chips. High quality tempered glass optics. 120° beam angle.

WARRANTY:

5-year limited warranty. Actual performance may differ as a result of end-user environment and application.

ELECTRICAL:

Available as 120-277V input. -20°C to 50°C, -4°F to 122°F

INSTALLATION & MOUNTING:

Knuckle mount or U-Bracket.

FEATURES

- IP65 rated
- Easy installation and maintenance
- Corrosion and rust proof
- Semi cut-off
- 50,000 hours lifetime

SUITABLE APPLICATIONS

- Warehouses
- Factories
- Shopping Malls
- Supermarkets
- Walk-ways
- Parks
- Logistic Centers
- Auto dealerships
- Yards



20W Knuckle Mount



20W U-Bracket Mount



30W Knuckle Mount



30W U-Bracket Mount



45W Knuckle Mount



45W U-Bracket Mount



LOD-KFL-20W-50K-LV-V11

WATTAGE	CCT	LUMENS	EFFICACY	VOLTAGE	CRI	POWER FACTOR	THD	REPLACES
20W	5000K	2,080LM	104lm/W	120-277V	80	0.9	18%	50W

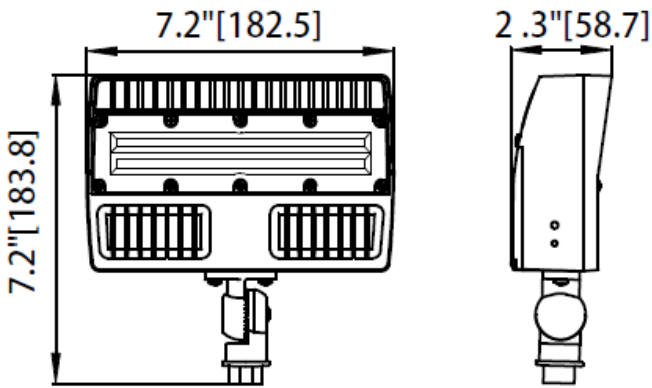
LOD-KFL-30W-50K-LV-V11

WATTAGE	CCT	LUMENS	EFFICACY	VOLTAGE	CRI	POWER FACTOR	THD	REPLACES
30W	5000K	3,050LM	101.67lm/W	120-277V	80	0.96	12.8%	75W

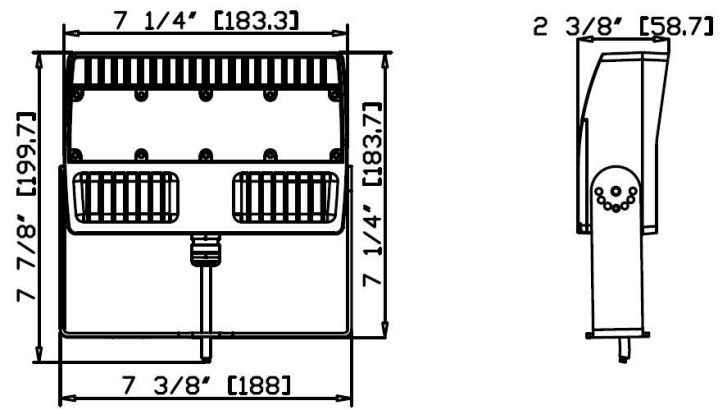
LOD-KFL-45W-50K-LV-V11

WATTAGE	CCT	LUMENS	EFFICACY	VOLTAGE	CRI	POWER FACTOR	THD	REPLACES
45W	5000K	5,670LM	126lm/W	120-277V	70	0.9	20%	150W

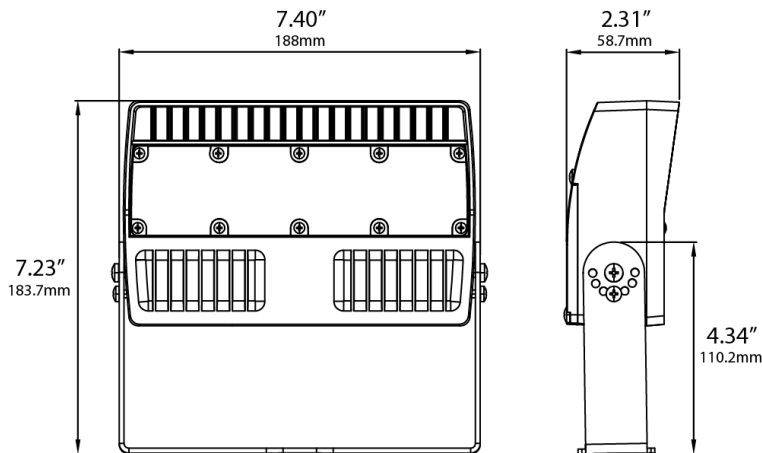
MEASUREMENTS



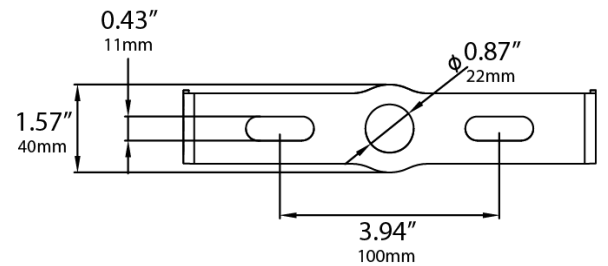
Knuckle Mount



45W w/ U-Bracket Mount



20W/30W U-Bracket Mount



U-Bracket Mount Screw Hole Size

MODEL	QUANTITY	WEIGHT	UPC CODE
LOD-KFL-20W-50K-LV-V11 (Knuckle Mount)	1	2.10 lbs	00810050940290
LOD-KFL-20W-50K-LV-V11 (U-Bracket Mount)	1	2.10 lbs	00810050940306
LOD-KFL-30W-50K-LV-V11 (Knuckle Mount)	1	2.10 lbs	00810050940313
LOD-KFL-30W-50K-LV-V11 (U-Bracket Mount)	1	2.10 lbs	00810050940320
LOD-KFL-45W-50K-LV-V11 (Knuckle Mount)	1	2.35 lbs	00810050940337
LOD-KFL-45W-50K-LV-V11 (U-Bracket Mount)	1	2.35 lbs	00810050940344