



Rotatable Wall Pack LED Light



Date:..... Location:

Product:.....Project:.....

Quantity:..... Catalog#

FEATURES

- Rotatable optics design, can either up or down light.
- Great architecture desgin, Aluminum Alloy housing.
- Optics swivel 350 degrees in each direction.
- IP65 waterproof.
- 50,000hours life time.

SUITABLE APPLICATIONS

- Warehouses
- Stadiums
- Factories
- Parking Lots
- Shopping Malls
- Supermarkets
- Logistic Centers
- Auto dealerships



CONSTRUCTION:

Aluminum alloy housing with bronze powder-coated finish.

ELECTRICAL:

Available as 120-277V input. -20°C to 45°C,

OPTICAL SYSTEM:

High brightness luminleds 2835 chips. High Transmission PC optics..60° beam angle.

INSTALLATION&MOUNTING:

Wall mounting with backside plate for easy install.

WARRANTY:

5-year limited warranty. Actual performance may differ as a result of end-user environment and application.

CONTROLS&DIMMING

0-10V dimmable, photocell optional.

PERFORMANCE

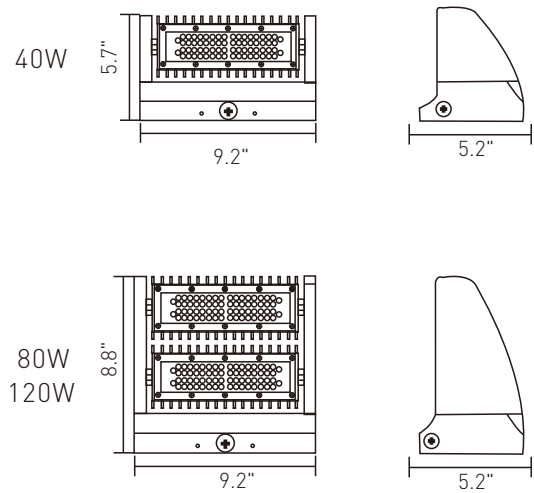
Model NO	PFC	Wattage Tunable	Voltage/Current Input			Light Efficiency	Kelvin Options
			120V	277V	480V		
LS-RWP02B-40H 1JYT1SA1-BR50	>0.9	40W	0.33A	0.14A	0.08A	135LM/W	5000K
LS-RWP02B-80W 1JYT1SA2-BR50	>0.9	80W	0.66A	0.28A	0.16A	135LM/W	5000K
LS-RWP02B-120F 1JYT1SA2-BR50	>0.9	120W	1.0A	0.43A	0.25A	135LM/W	5000K

Rotatable Wall Pack LED Light

Electric Characteristic

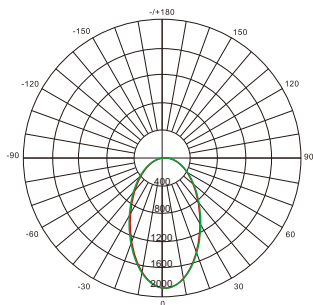
Specification/Model	LS-RWP02B-40H1JYT 1SA1-BR50	LS-RWP02B-80W1JY T1SA2-BR50	LS-RWP02B-120F1J YT1SA2-BR50
LED Driver	UL driver		
Input power	40W	80W	120W
Lumens output	5400LM	10800LM	16200LM
Efficiency	135LM/W	135LM/W	135LM/W
CRI	>72	>72	>72
Color Temperature	5000K	5000K	5000K
Input voltage	120-277V/AC	120-277V/AC	120-277V/AC
Light distribution type	60D	60D	60D
Working temperature	-20+45°C	-20+45°C	-20+45°C
Junction temperature	<75°C	<75°C	<75°C
lamps efficiency	≥90%	≥90%	≥90%
Certificate	UL CUL DLC	UL CUL DLC	UL CUL DLC
Equivalent	120-200W MH/HPS	200-250W MH/HPS	250-360W MH/HPS

DIMENSION



DISTRIBUTION DIAGRAM

LS-RWP02B-40H1JYT1SA1-BR50



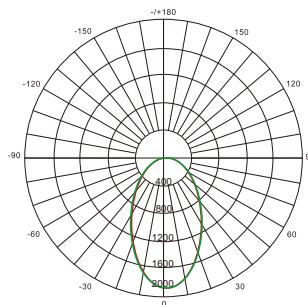
AVERAGE BEAM ANGLE[50%]: 60°

UNIT:CD

Lumens:5400LM
Test Number:40W
Test Number:5000K

— C0/180,113.7
— C30/210,100.1
— C60/240,108.6
— C90/270,130.9

LS-RWP02B-80W1JYT1SA2-BR50



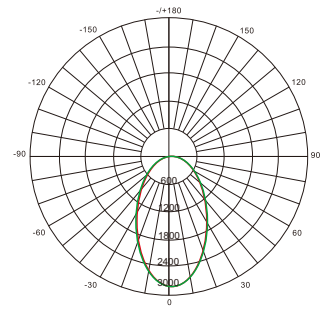
AVERAGE BEAM ANGLE[50%]: 60°

UNIT:CD

Lumens:10400LM
Test Number:80W
Test Number:5000K

— C0/180,115.4
— C30/210,121.0
— C60/240,108.4
— C90/270,132.1

LS-RWP02B-120F1JYT1SA2-BR50



AVERAGE BEAM ANGLE[50%]: 60°

UNIT:CD

Lumens:16200LM
Test Number:120W
Test Number:5000K

— C0/180,115.4
— C30/210,121.0
— C60/240,108.4
— C90/270,132.1

Note

- 1.The installation and maintenance must be completed by electricians or professionals.
- 2.Please cut off the power before installation and maintenance.
- 3.The thermally insulating material is not allowed to cover the fixture
- 4.Please keep away from the corrosive substance.

Instruction

Warning :

- 1.Can not use the electric generator to test the LED lamp.
- 2.This luminaire must be installed in accordance with your local electrical codes and requirements.
- 3.Do not install the luminaire in the rain, to avoid lightning stroke and damage to luminaire.

Installation notice :

- 1.This luminaire must be installed by qualified electrician to avoid electric shock and fire accident;
- 2.Wear gloves before installation in order to avoid injury;
- 3.Turn off the power immediately when there is smoke and fire during installation; inform professionals to overhaul;
- 4.This luminaire is suited for outdoor use.

The installation of the product can be used when it is marked with "V".

☑ Installation I :

Wiring from the bottom of luminaire

1.Cut holes on the wall according to locating plate.(Figure 1-1)

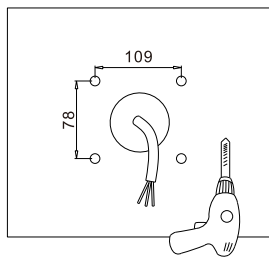


Figure 1-1

2.Fix rubber plugs into holes.(Figure 1-2)

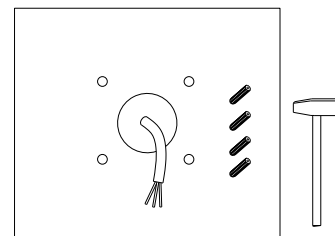


Figure 1-2

3.Align mounting bracket with hole; tighten screws.(Figure 1-3)

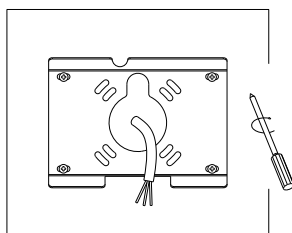


Figure 1-3

4.Make wiring connection and go through isolation treatment.(Figure 1-4)

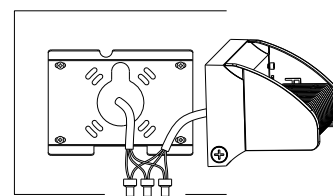


Figure 1-4

5.Fix the luminaire on the bracket and tighten screws on the bottom(Figure 1-5)

6.After installation, tighten the screws.(Figure 1-6)

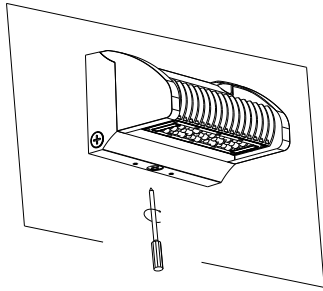


Figure 1-5

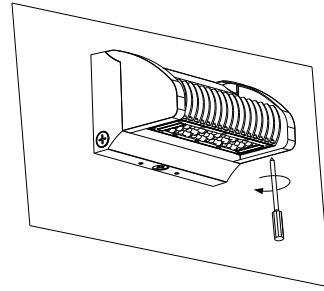


Figure 1-6

Installation II :
Wiring from the bottom of luminaire

1. Cut holes on the wall according to locating plate. (Figure 2-1)

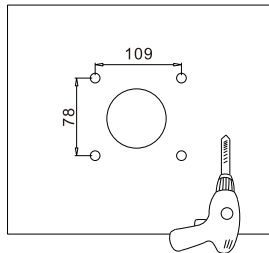


Figure 2-1

2. Fix rubber plugs into holes. (Figure 2-2)

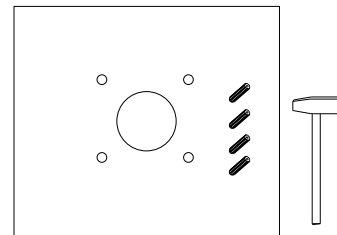


Figure 2-2

3. Align mounting bracket with hole; tighten screws. (Figure 2-3)

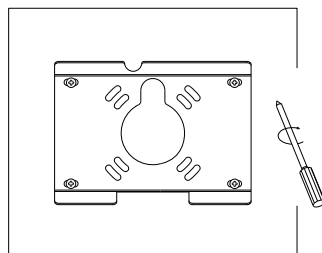


Figure 2-3

4. Fix the luminaire on the bracket; make wiring connection from side and go through isolation treatment. (Figure 2-4)

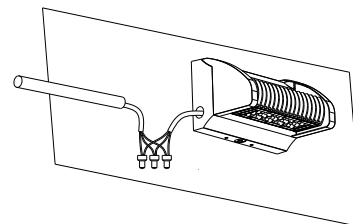


Figure 2-4

5. Tighten the pipe on the luminaire; after installation, tighten the screws. (Figure 2-5)

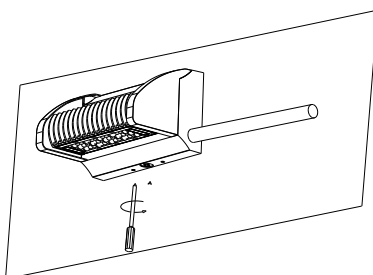


Figure 2-5

□ Installation II : Bracket installation

1. Cut holes on the wall according to locating plate. (Figure 3-1)

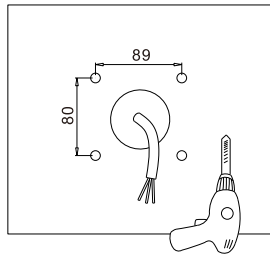


Figure 3-1

2. Fix rubber plugs into holes. (Figure 3-2)

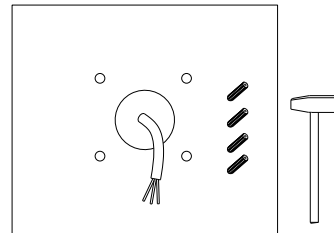


Figure 3-2

3. Align mounting bracket with hole; tighten screws. (Figure 3-3)

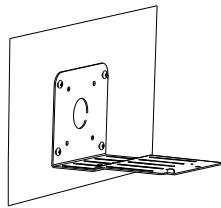


Figure 3-3

4. Pass wires through rubber ring and junction box, align with holes and lock junction box. (Figure 3-4)

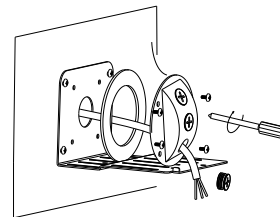


Figure 3-4

5. Make wiring connection and go through isolation treatment. (Figure 3-5)

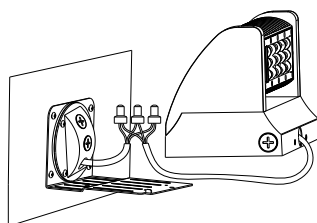


Figure 3-5

6. Push the wires into the junction box; after installation, tighten the screws. (Figure 3-6)

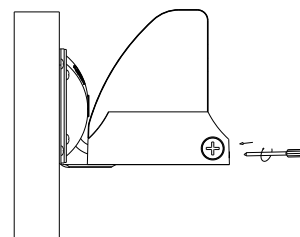


Figure 3-6